



LG-IRM2B238KSF3

IC

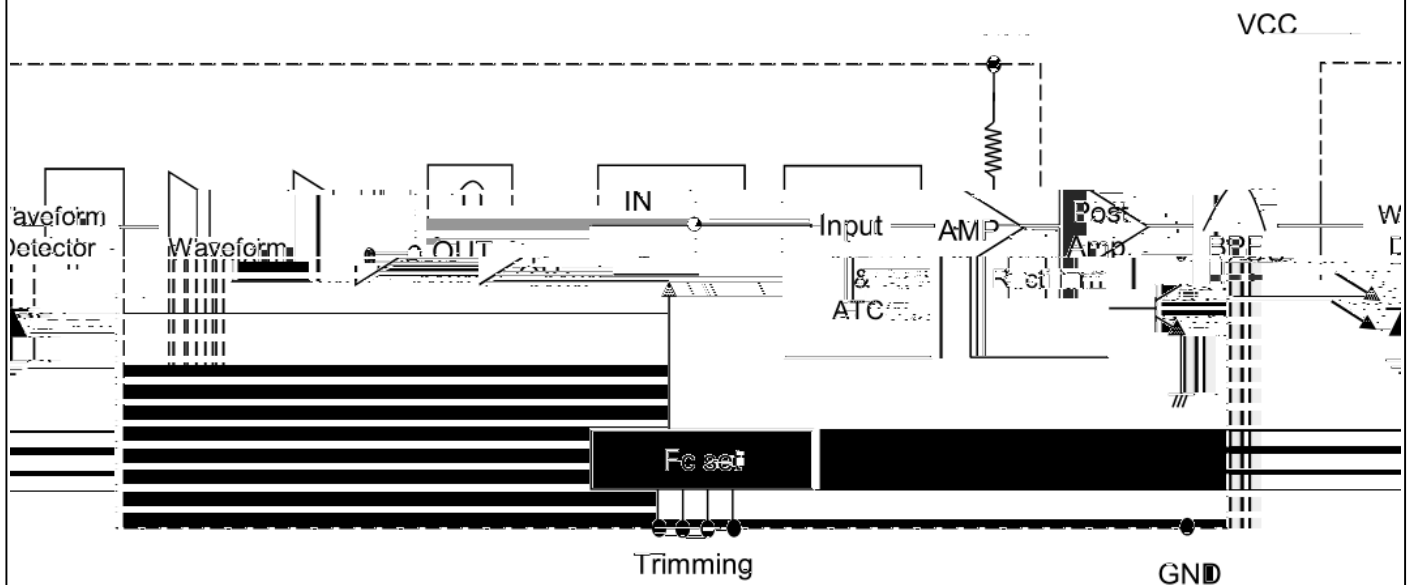
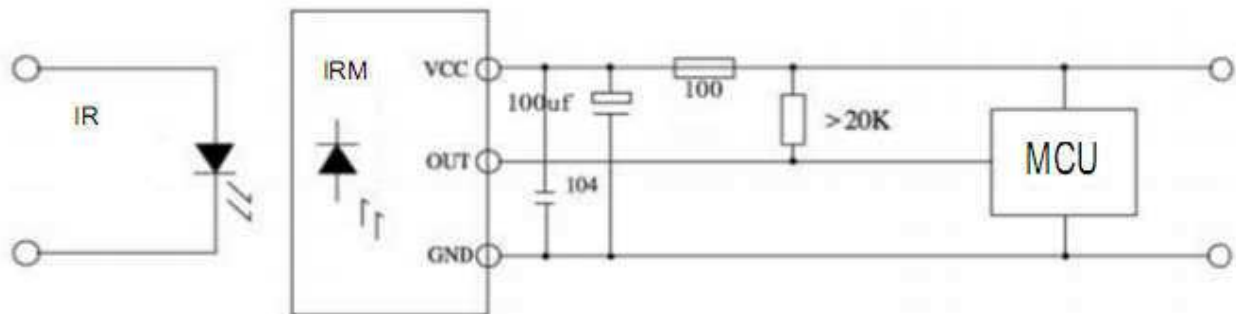
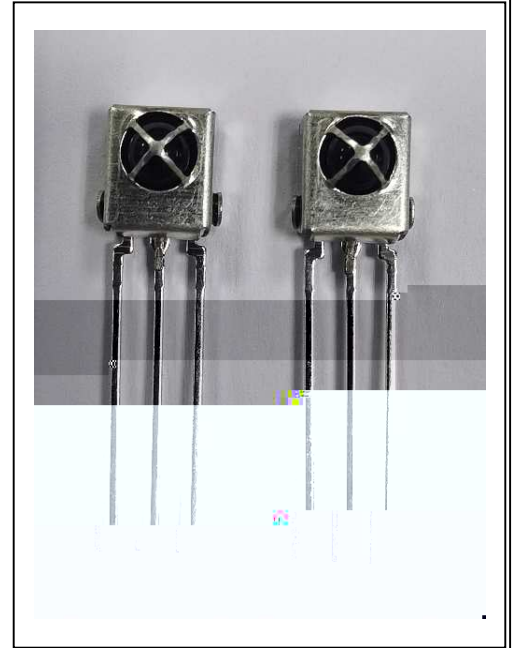
PIN

RoHS REACH

2.7-5.5V

TTL CMOS

( MP3 MP4, )

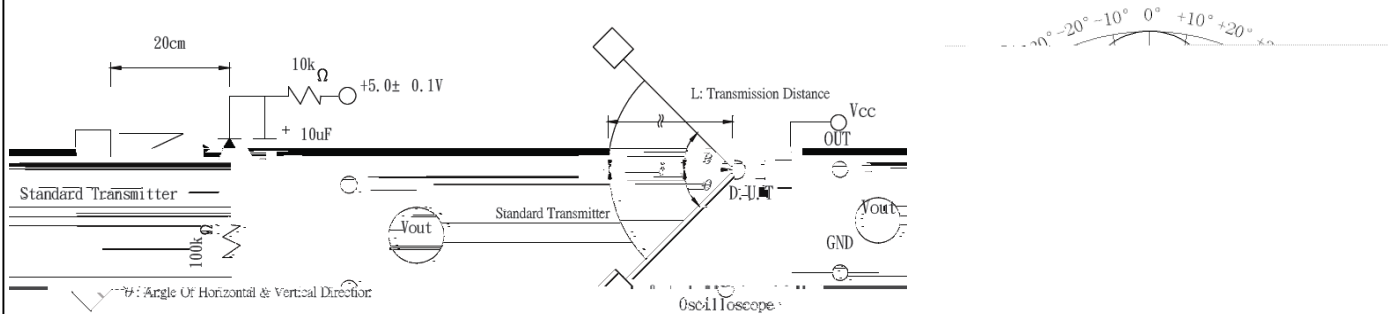


|                |     | Min             | Typ            | Max |      |     |     |
|----------------|-----|-----------------|----------------|-----|------|-----|-----|
| Icc            |     | No Input Signal |                | 0.2 | 0.5  | 0.7 | mA  |
| L              | 0°  | 16              | 18             | --- | m    |     |     |
|                | 45° | 8               | 9              | --- |      |     |     |
|                | 45° | 8               | 9              | --- |      |     |     |
| f <sub>0</sub> |     | ---             | 37.9           | --- | kHz  |     |     |
| BPF            | fbw | fin=37.9kHz     |                | --- | 7.0  | --- | kHz |
| BPF            | fc  | ---             | f <sub>0</sub> | -5  | +5   | %   |     |
| Vol            |     | Iosink=2.0mA    |                | --- | 0.2  | 0.4 | V   |
| Voh            |     | ---             |                | 4.8 | 5.0  | --- | V   |
| Av_max         |     | fin=37.9kHz     |                | 60  | 64.5 | 68  | dB  |
| Rpul           |     | ---             |                | --- | 50   | --- | k   |
| Tpw            |     | Vin =500 pp     |                | 400 | 600  | 800 | μS  |

1m 40W

200±50Lux

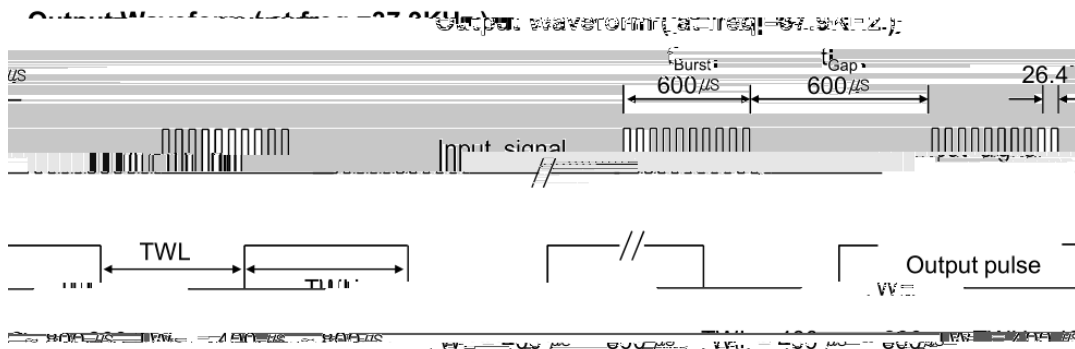
Toshiba/NEC/Mitsubishi/RC5\_Philips/Sony 12bit/Zenith/RC6/Continuous Code/Sony 15bit/  
Sony 20bit/RCA/RCMM.



|                 | Min. | Typ. | Max. |     |
|-----------------|------|------|------|-----|
| V <sub>DD</sub> | 2.7  | ---  | 5.5  | V   |
| FM              | ---  | 37.9 | ---  | kHz |
| Topr            | ---  | 25   | ---  |     |

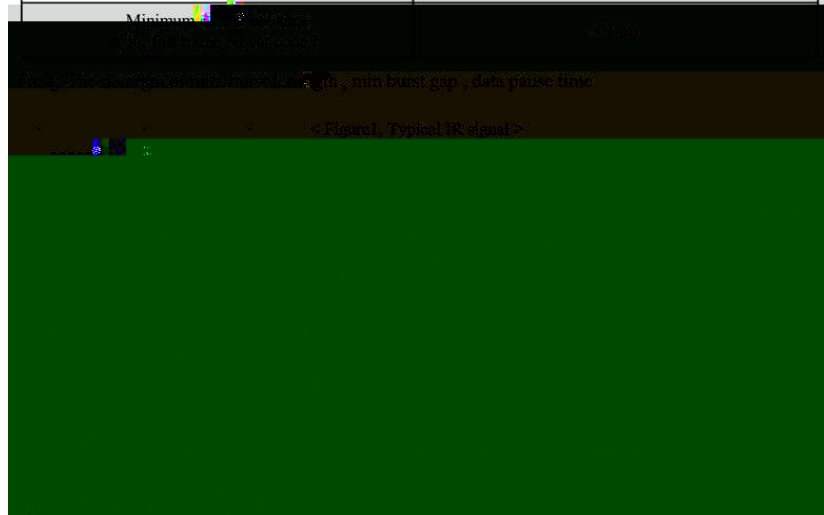
|                 |          |   |
|-----------------|----------|---|
| V <sub>DD</sub> | 6.0      | V |
| Tstg            | -40~100  |   |
| Tsol            | 260±5 5S |   |

\*



\*  $t_{pi} \geq 10/f_0$  is recommended for optimal function.

|   |       |
|---|-------|
| Minimum Burst Length $t_{burst}$<br>(number of pulses per burst)                              | 200us |
| Minimum Burst Gap time $t_{burst\_gap}$<br>(number of pulses per burst)<br>between two bursts | 300us |



|  | 260 ±5                            | 5   | 20 | 20 |
|--|-----------------------------------|-----|----|----|
|  | 100PF, 1.5k ,<br>4KV,             | --- | 20 | 20 |
|  | 10-50Hz/1min<br>1.5mm X Y Z/30min | 30  | 20 | 20 |
|  | 85 ±3                             | 240 | 20 | 20 |
|  | -20 ±3                            | 240 | 20 | 20 |
|  | 85 85%                            | 240 | 20 | 20 |
|  | -20 30 85 30                      | 10  | 20 | 20 |
|  | 2.5N 2                            | --- | 20 | 20 |

LI

LIGHT ELECTRONICS CO., LTD.

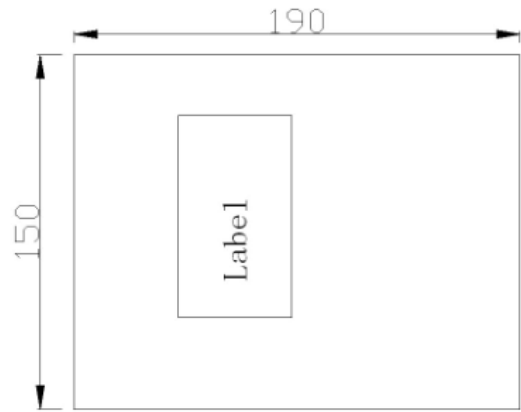
---

LI

1

150mm × 190mm

500PCS

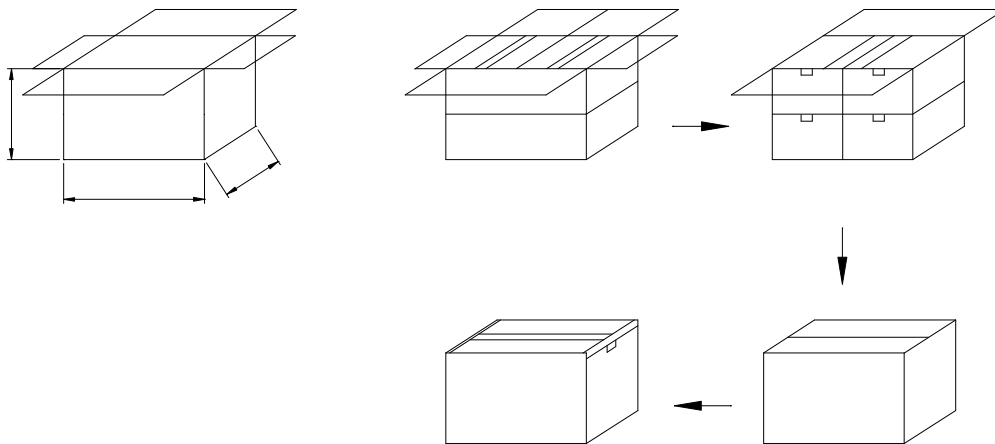
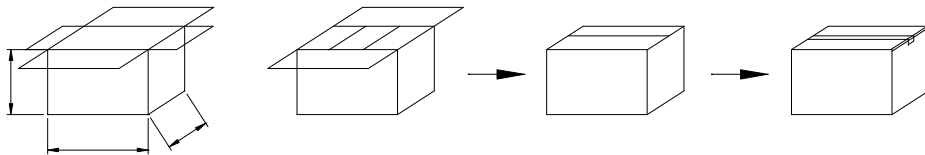


2

500pcs/

10 /

4 /



|  |  |  |
|--|--|--|
|  |  |  |
|  |  |  |