

# **LG-IRM2A838KSF3**

## **Infrared Receiver Module**

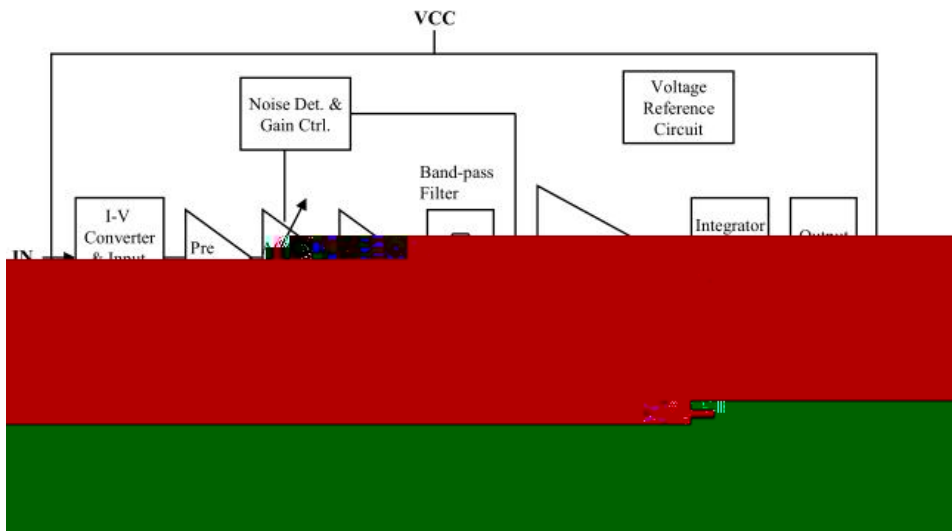
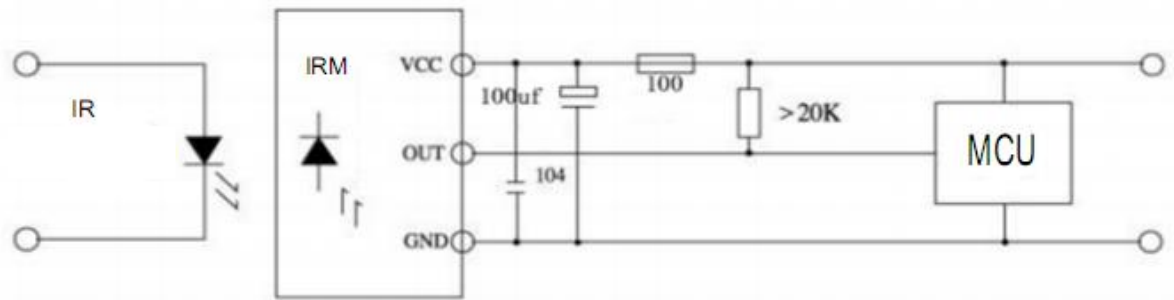
### **DATA SHEET**

SPEC.NO. : SZ21052401  
DATE : 2021/05/24  
REV. : A/0

Approved By:

Checked By:

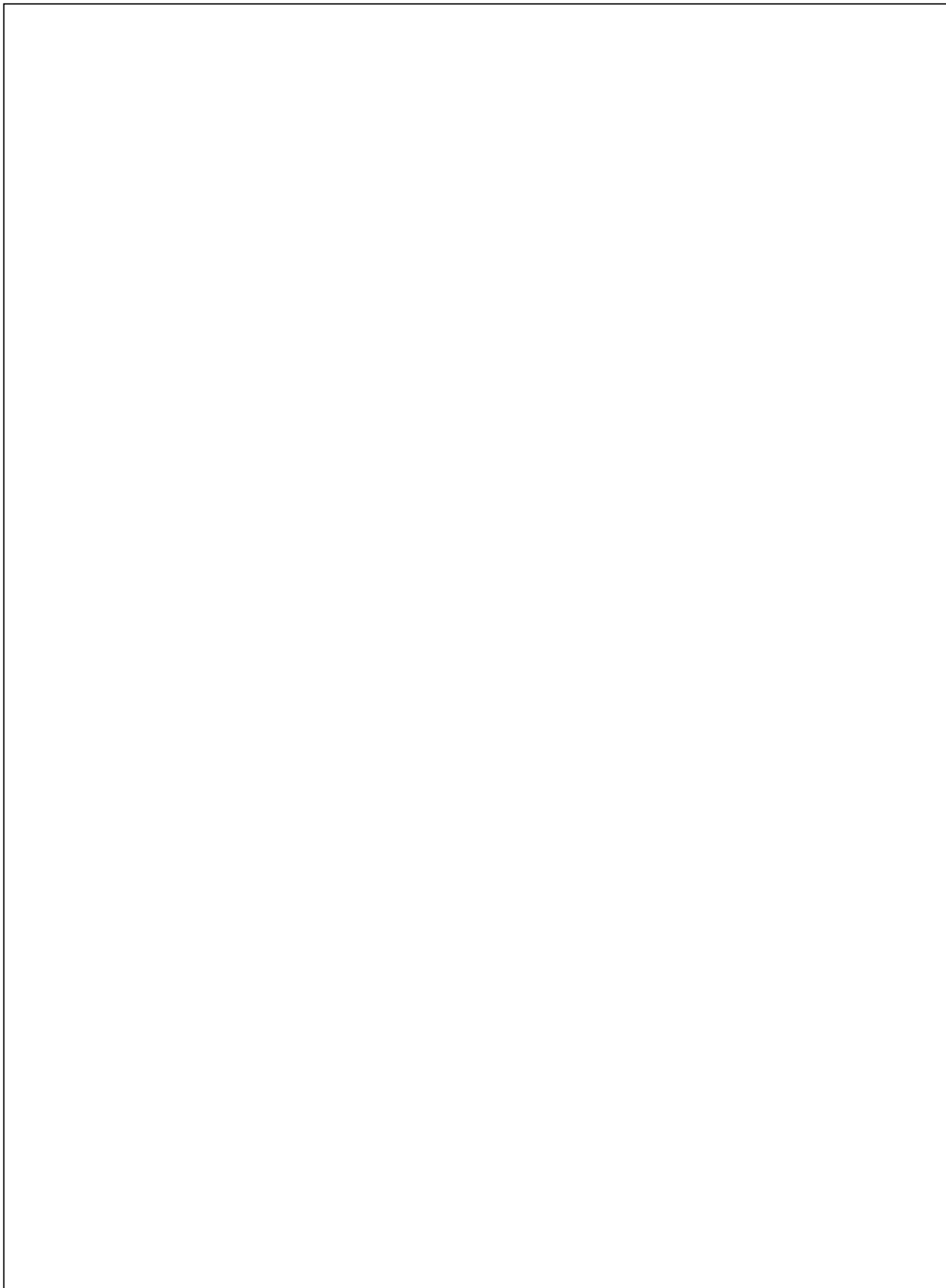
Prepared By:

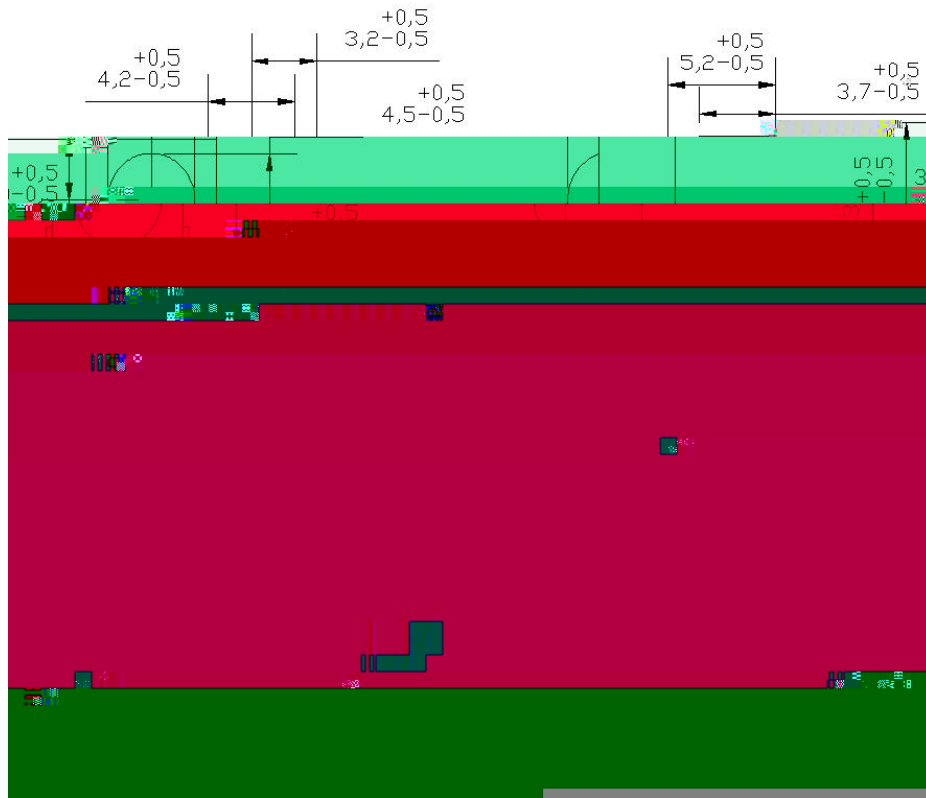




LI

**LIGHT ELECTRONICS CO., LTD.**





**LIGHT ELECTRONICS CO., LTD.**

