

## SL-T0603IRC020-L55 DATA SHEET

SPEC. NO. : SZ20050901  
DATE : 2020/10/22  
REV. : A/2

Approved By:

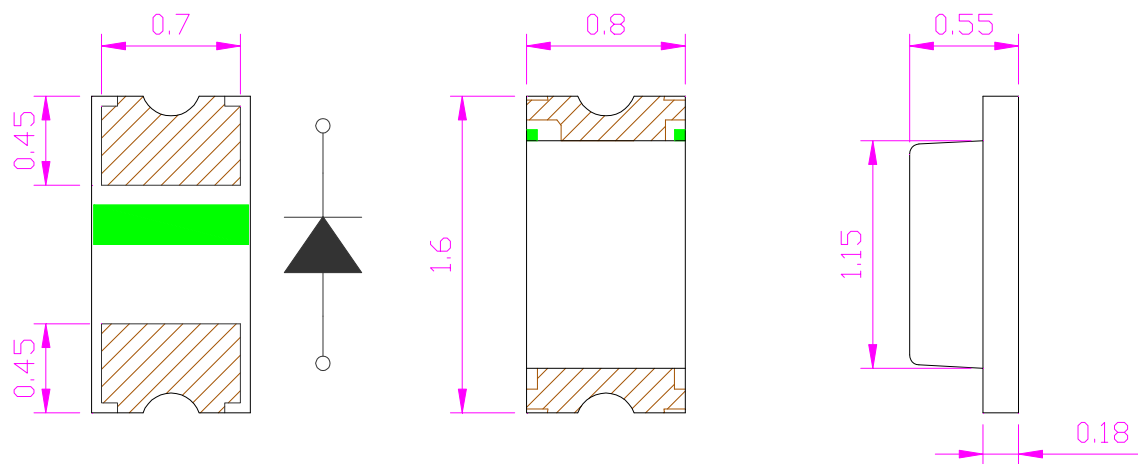
Checked By:

Prepared By:

## Features

- Pb free product—RoHS compliant
- Low power consumption, High efficiency
- Reliable and rugged
- Long life – solid state reliability
- Good spectral matching to Si photo detector

## Package Dimension



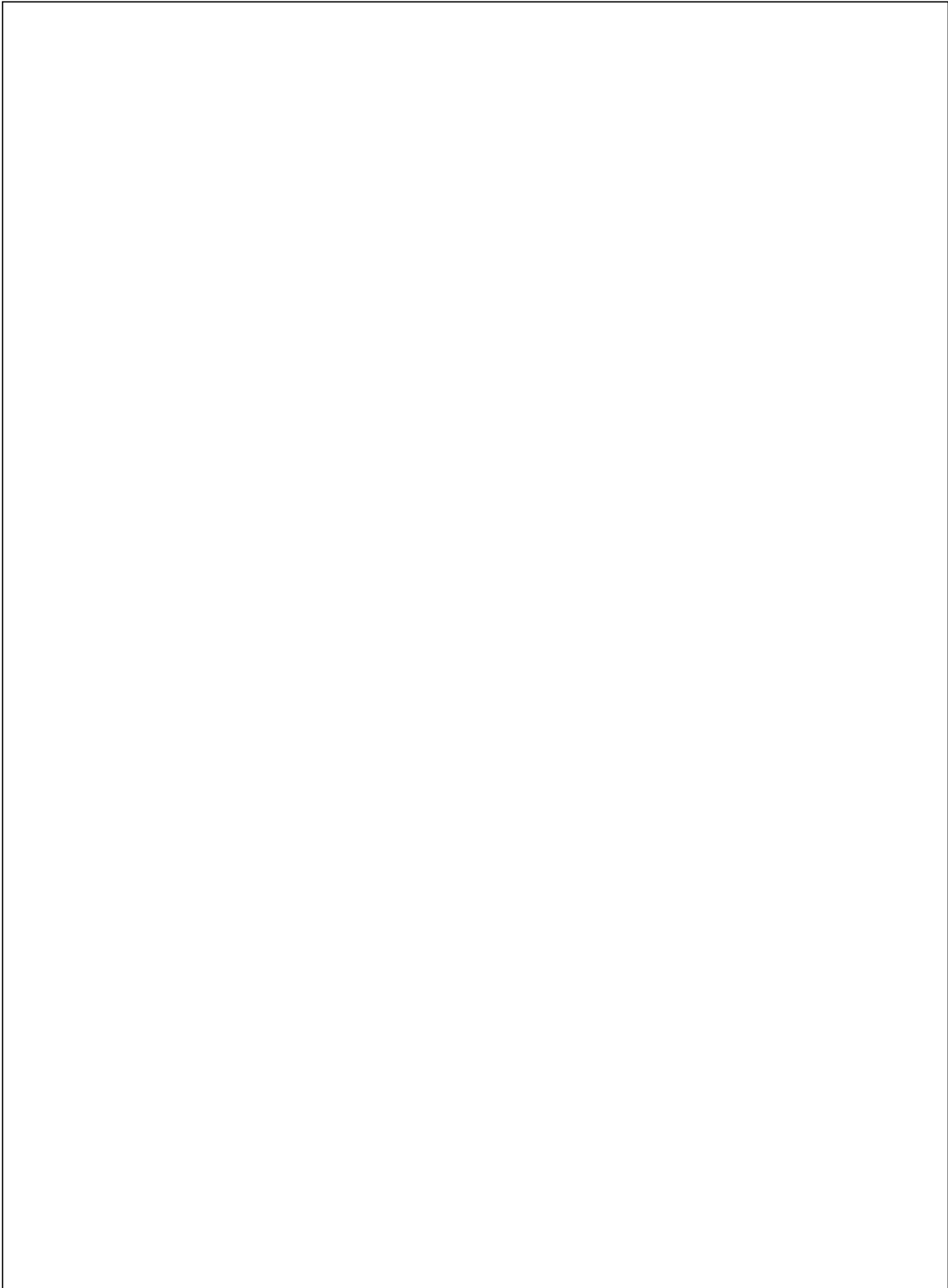
Part NO.	Chip Material	Lens Color
SL-T0603IRC020-L55	AlGaAs	Water Clear

### Notes:

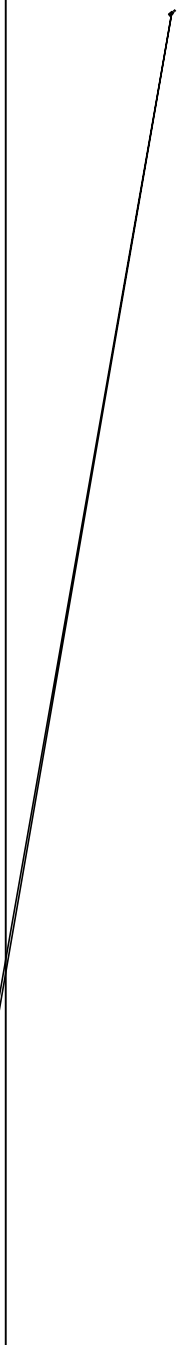
1. All dimensions are in millimeters.
2. Tolerance is  $\pm 0.10$ mm unless otherwise noted.
3. Specifications are subject to change without notice.



# LIGHT



**Typical Electrical / Optical Characteristics Curves**  
**(25°C Ambient Temperature Unless Otherwise Noted)**



## Infrared Emitting Diode Specification

●Commodity: Infrared Emitting Diode



●Radiant Intensity Bin Code (At 20mA)

<b>BIN CODE</b>	<b>Min.(mW/sr)</b>	<b>Max. (mW/sr)</b>
15	1.3	1.55
16	1.55	1.85
17	1.85	2.2
18	2.2	2.6
...	...	...



**NOTE:** The Ie guarantee should be added  $\pm 15\%$  tolerance.

## Label Explanation

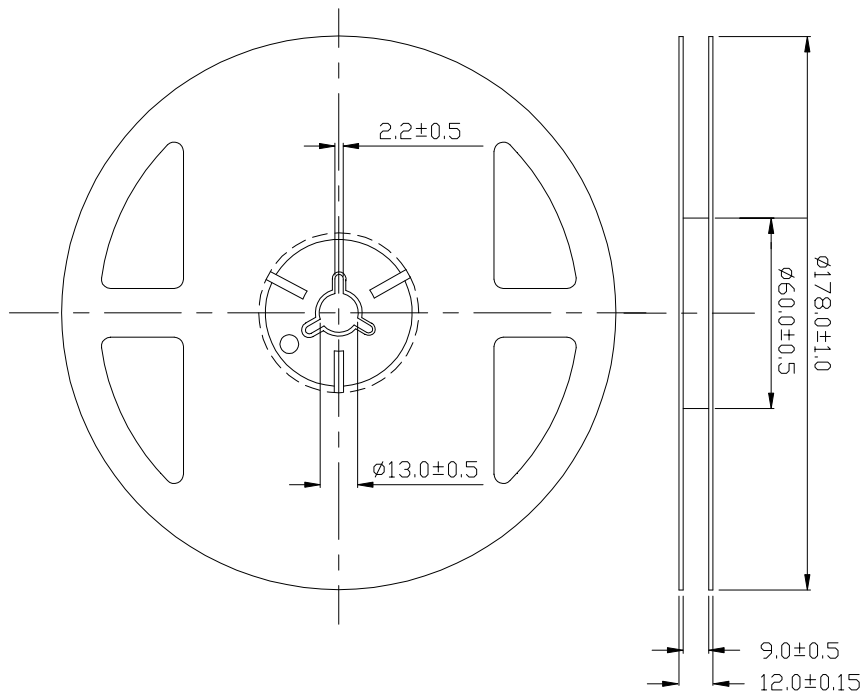
LIGHT Universal Label  
(Reel Label)

<b>LIGHT</b>		
Light Electronics CO., LTD.		
MODEL NAME: _____	 LOT NO.: _____	
QUANTITY: _____		
BIN: _____		
PACKING DATE: _____		
REMARKS: _____		

Customer Defined Label  
(Aluminum Moisture Proof Bag Label)

<b>LIGHT</b>		
Light Electronics CO., LTD.		
MODEL NAME: _____	 LOT NO.: _____	
QUANTITY: _____		
BIN: _____		
PACKING DATE: _____		
CUSTOMER P/N: _____		

## Reel Dimensions



**Note:** Tolerance unless mentioned is  $\pm 0.2$ mm; Unit = mm

# LIGHT

