

LG-ITR2C-554624

DATA SHEET

SPEC.NO.: SZ19060410
DATE: 2019/06/04
REV. A/0

Approved By:

Checked By:

Prepared By:

■ Features

- Fast response time
- High analytic
Cut-off visible wavelength $\lambda_c=940\text{nm}$
- High sensitivity
- Pb free
- The product itself will remain within RoHS compliant version

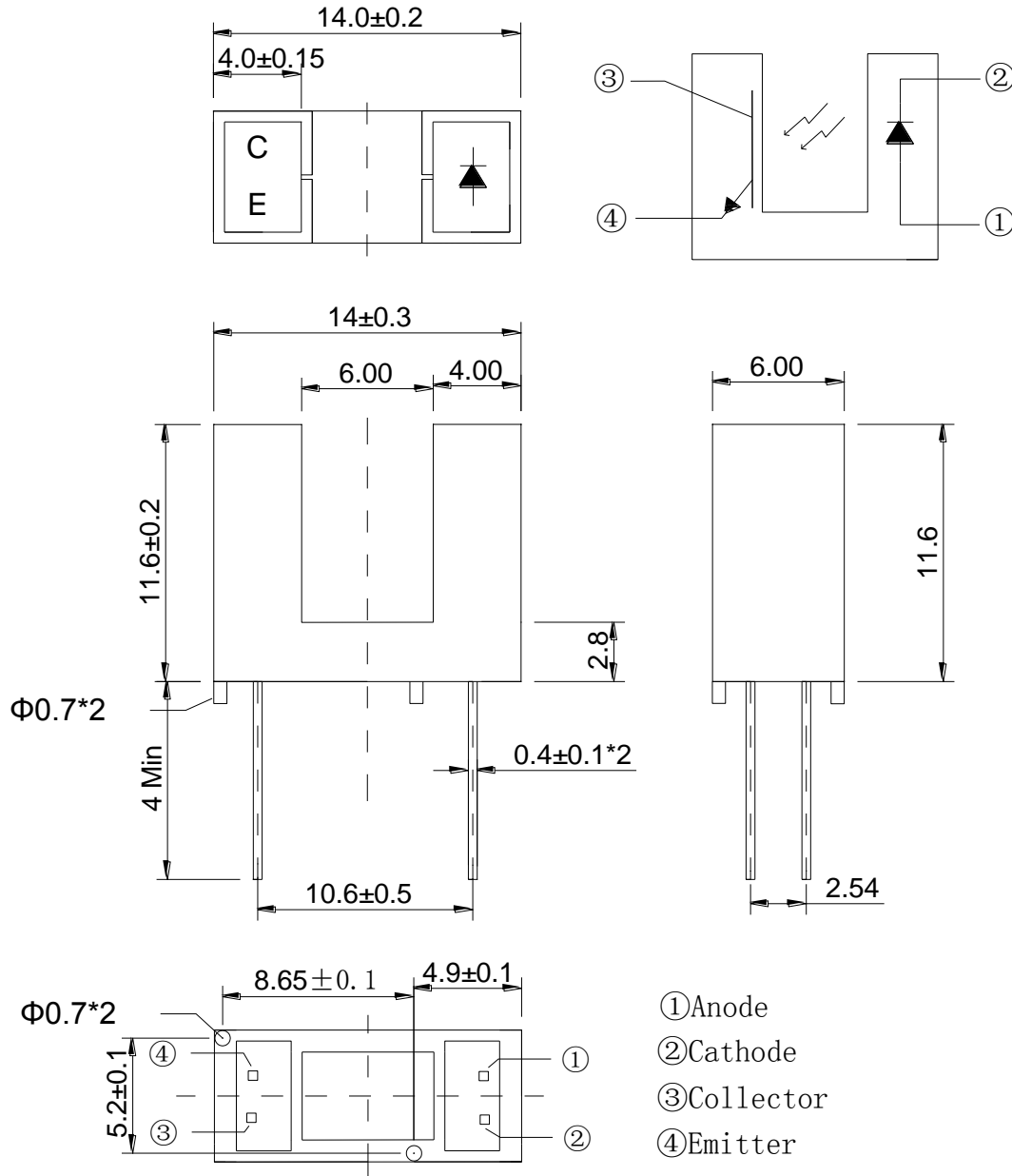
LG-ITR2C-554624

- Mouse Copier
- Switch Scanner
- Floppy disk driver
- Non-contact Switching
- For Direct Board

■ Device Selection Guide

Device No.	Chip Material	LENS COLOR
IR	GaAlAs	Water Clear
PT	Silicon	Water Clear

■ Package Dimensions



Notes:

1. All dimensions are in millimeters.
2. Tolerance is ± 0.20 mm unless otherwise noted.
3. Lead spacing is measured where the leads emerge from the package.

■ Absolute Maximum Ratings (Ta=25°C)

Parameter		Symbol Ratings	Unit	
Input	Power Dissipation at(or below) 25°C Free Air Temperature	Pd	75	mW
	Reverse Voltage	VR	5	V
	Forward Current	IF	50	mA
	Peak Forward Current (*1) Pulse width ≤ 100μs, Duty cycle=1%	IFP	1	A
	Collector Power Dissipation	PC	100	mW
Output	Collector Current	IC	50	mA
	Collector-Emitter Voltage	B VCEO	30	V
	Emitter-Collector Voltage	B VECO	5	V
	Operating Temperature	Topr	-20~+65	°C
Storage Temperature	Tstg	-30~+70	°C	
Lead Soldering Temperature (*2) (1/16 inch form body for 5 seconds)	Tsol	260	°C	

(*1) $t_w=100\ \mu\text{sec.}$, $T=10\ \text{msec.}$ (*2) $t=5\ \text{Sec}$

■ Electro-Optical Characteristics (Ta=25°C)

							IC=1mA RL=1K

