

SL-T3020PDB020-L285-E

PHOTO Diode

DATA SHEET

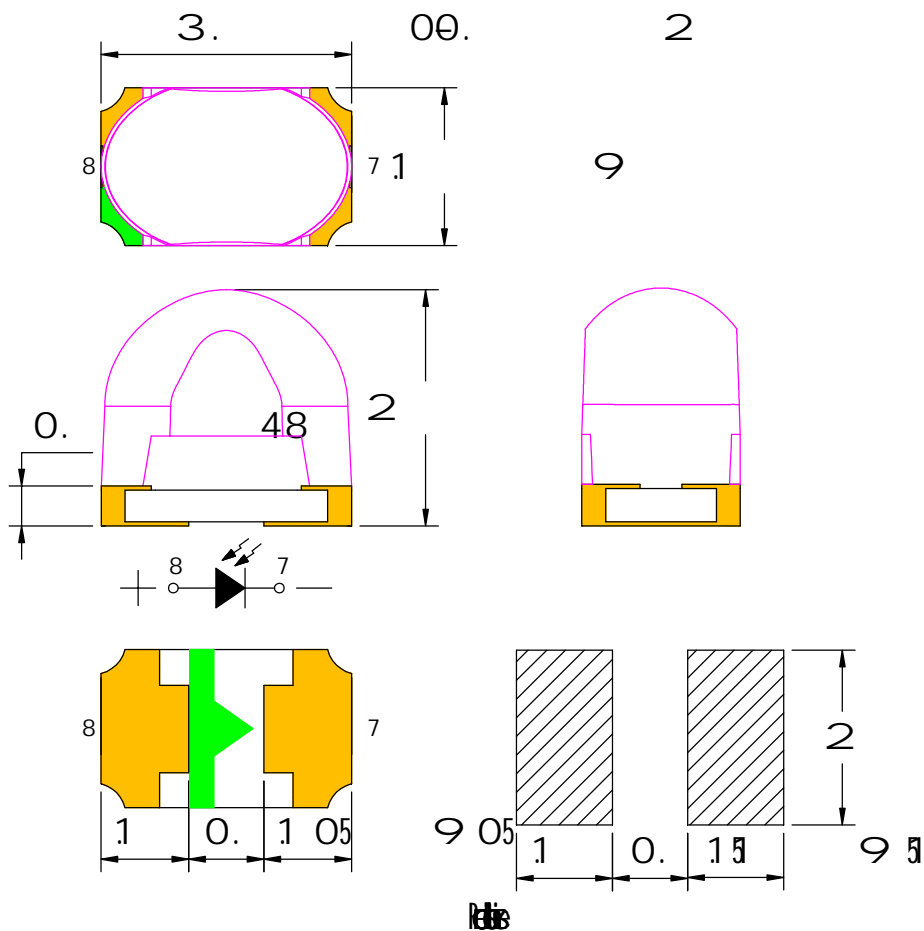
SPEC. NO _____
DATE : 2021/01/14
REV. : A/4

Approved By _____

Features

- i Pb free product—RoHS compliant
- i High Photo Sensitivity
- i Reliable and rugged
- i Long life – solid state reliability
- i Sensitivity

Package Dimension



Part NO		
SL-T3020PDB020-L285-E	Silicon	Black

Notes:

1. All dimensions are in millimeters.
2. Tolerance is ± 0.10 mm unless otherwise noted.
3. Specifications are subject to change without notice.

