

LG-IRM2A638KEF3 Infrared Receiver Module DATA SHEET

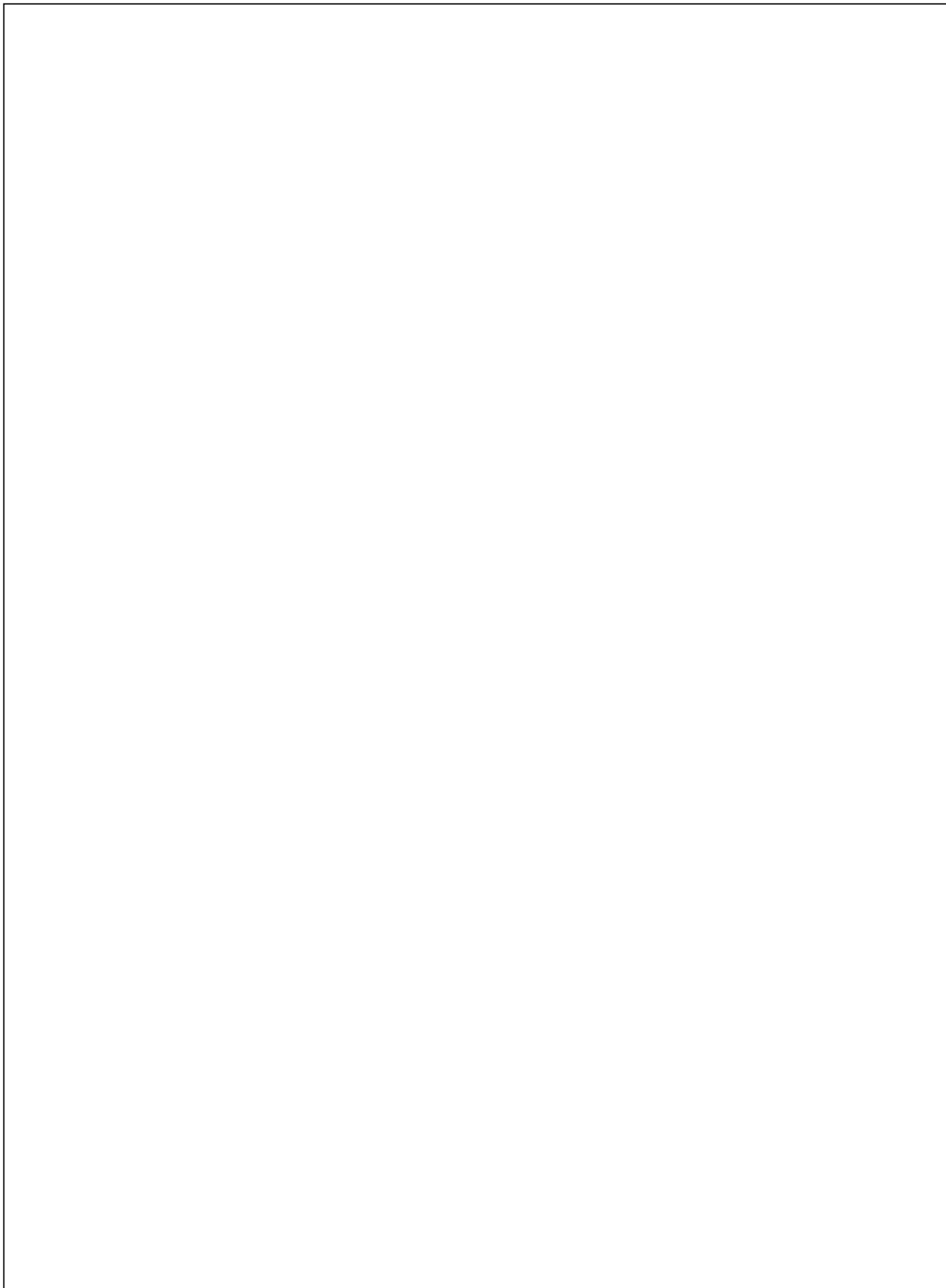
SPEC.NO. : SZ19070801
DATE : 2017/07/08
REV. : A/0

Approved By:

Checked By:

Prepared By:

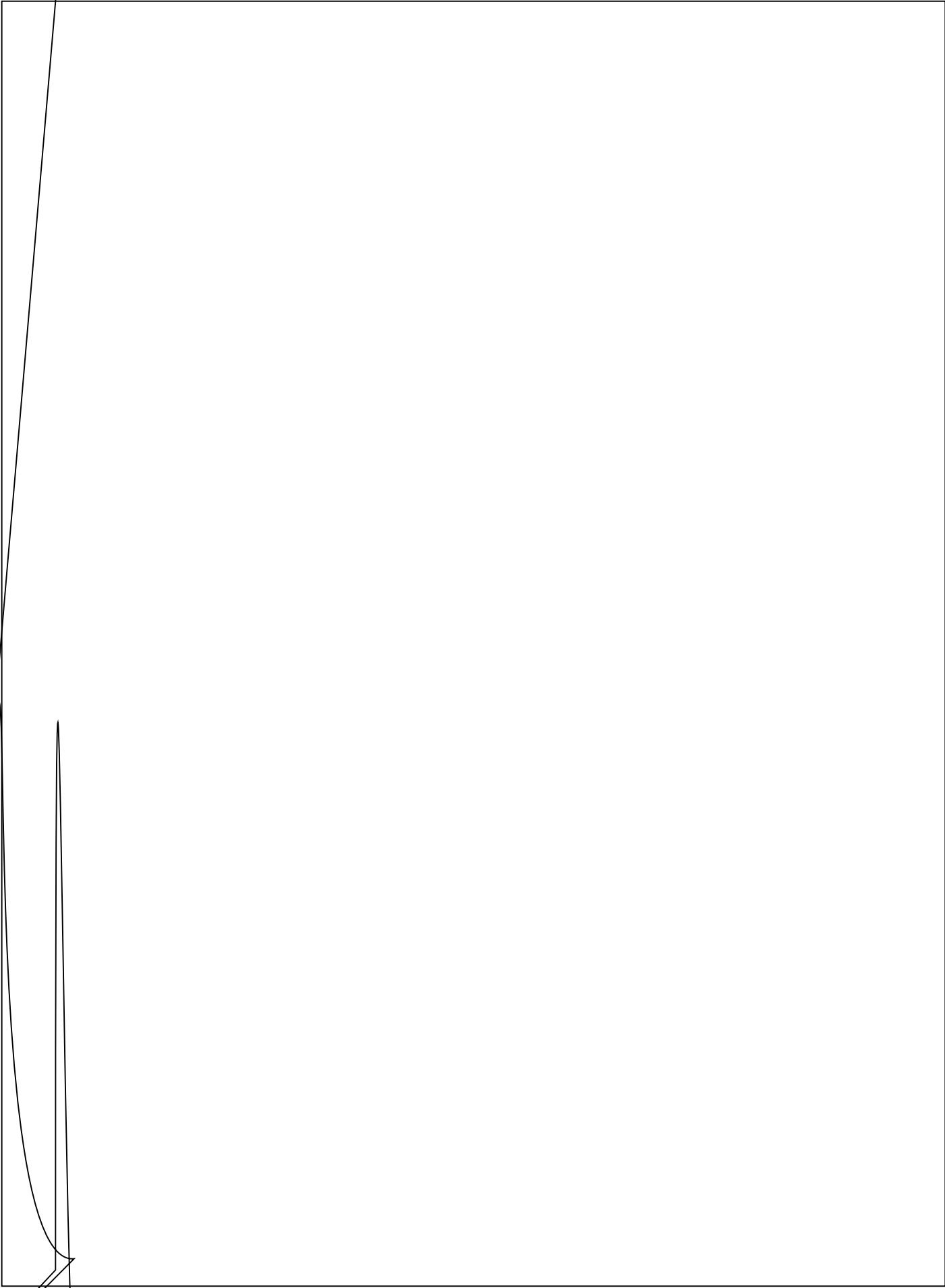
LIGHT



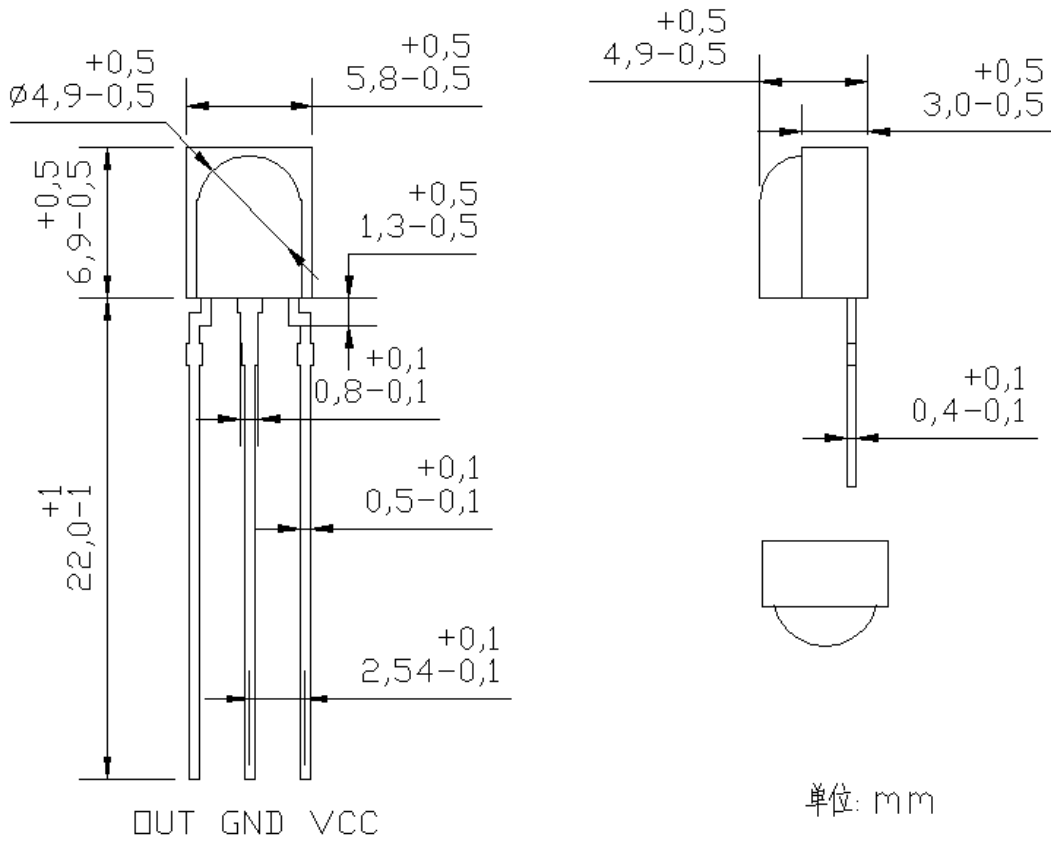
6 (T=25 Vcc=3v f_o=38KHZ)

			Min	Type	Max	
	I _{cc}	VDD=3v	0.2	0.4	0.6	mA
	L 0°		15	17		M

LIGHT

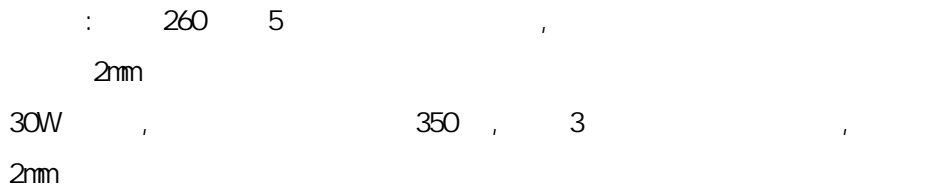


14



15

1).



2).

3).



4).

5).

6).

3

7).

LIGHT

