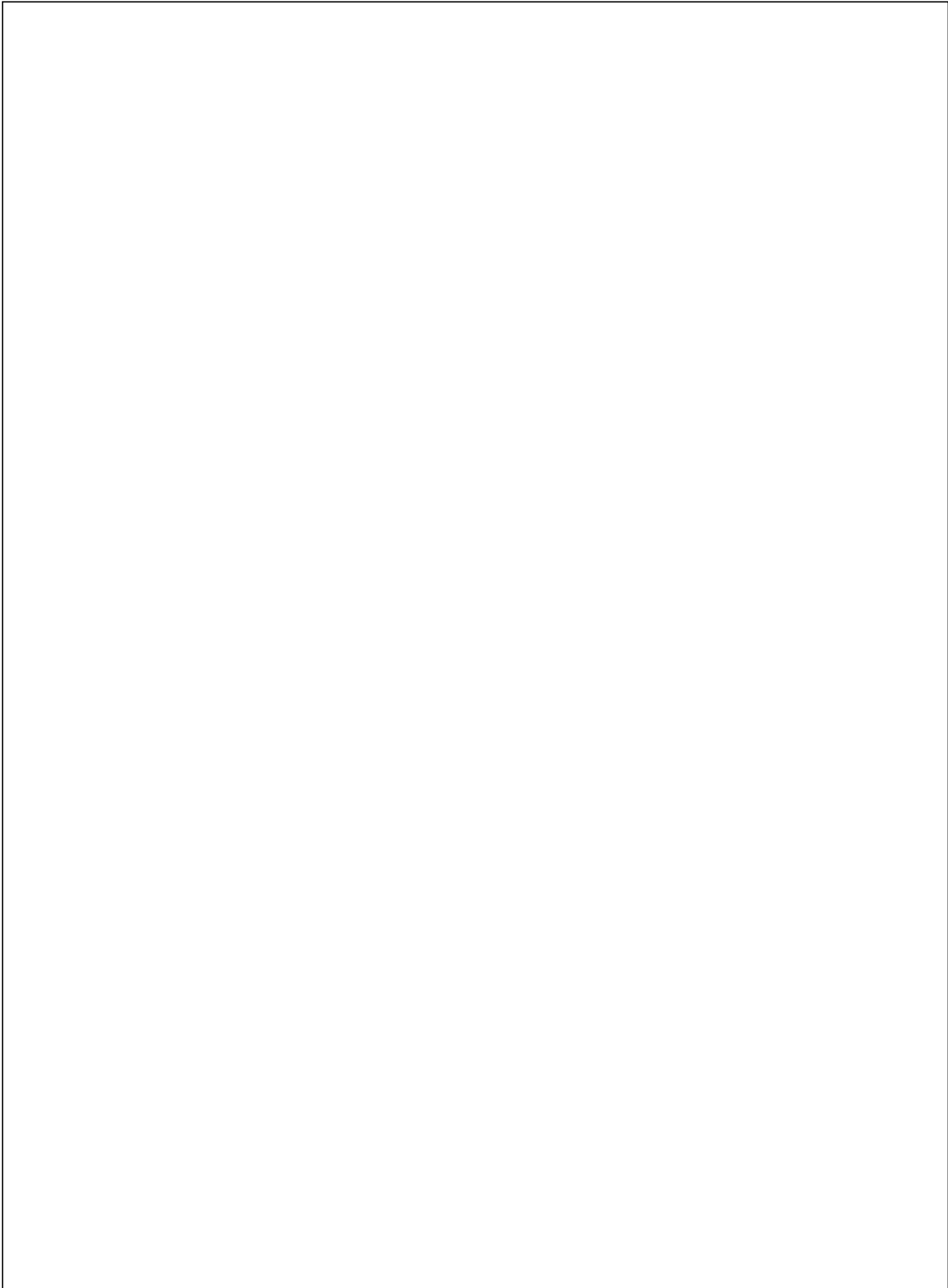
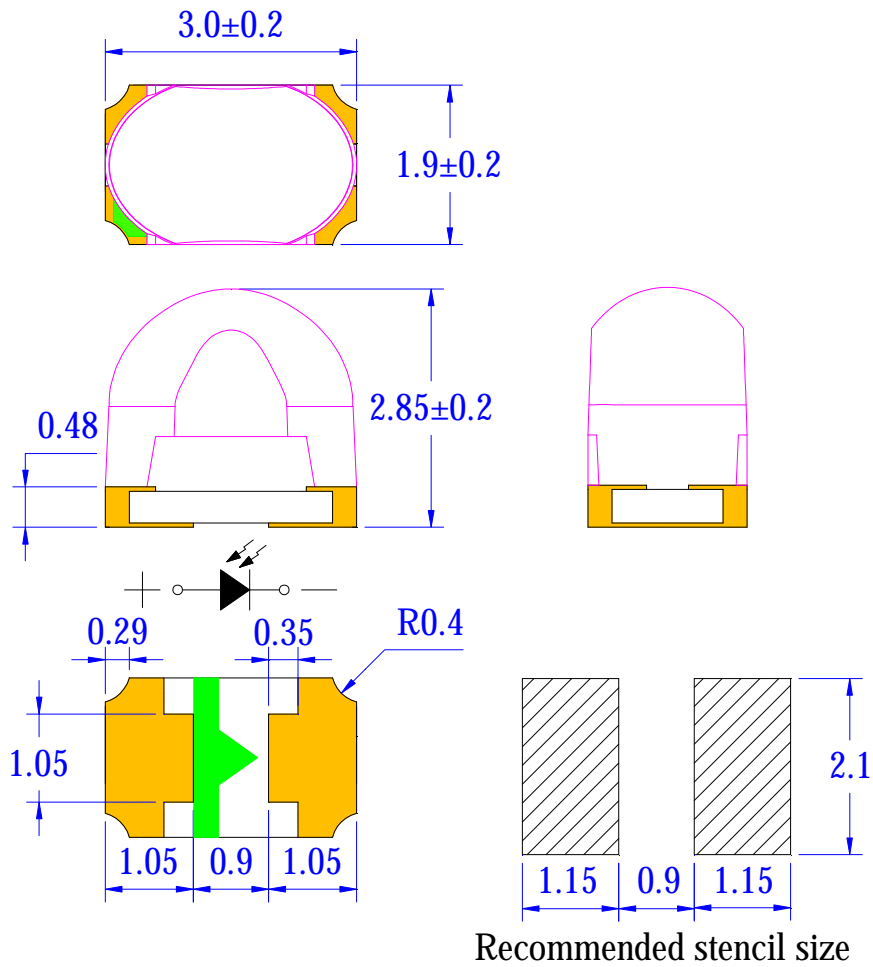


LIGHT



| | | | |
|--|--|--|--|
| | | | |
|--|--|--|--|

Pb free product—RoHS compliant
 High Photo Sensitivity
 Reliable and rugged
 Long life – solid state reliability
 Sensitivity angle: 90°



| Part NO. | Chip Material | Lens Color |
|-------------------------|---------------|------------|
| SL-T3020PDB020-L285-E-S | Silicon | Black |

1. All dimensions are in millimeters.
2. Tolerance is ± 0.10 mm unless otherwise noted.
3. Specifications are subject to change without notice.

LIGHT

| | | | |
|--|--|--|--|
| | | | |
|--|--|--|--|

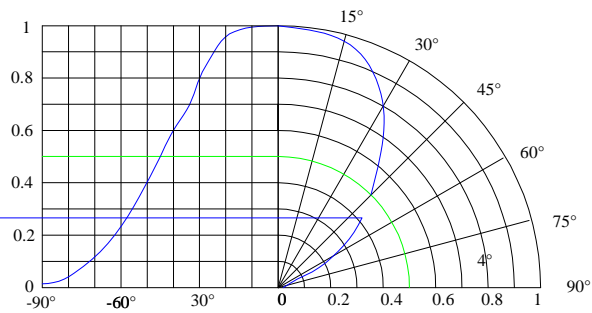
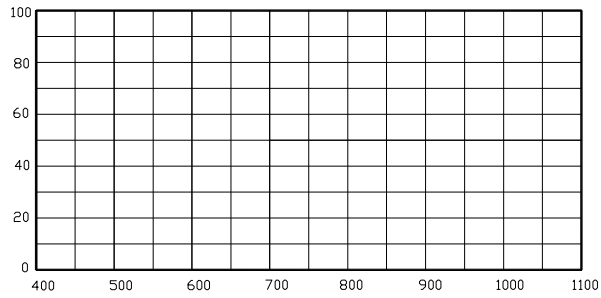
LIGHT



| | | | |
|--|--|--|--|
| | | | |
|--|--|--|--|

| | | | |
|--|--|--|--|
| | | | |
|--|--|--|--|

LIGHT

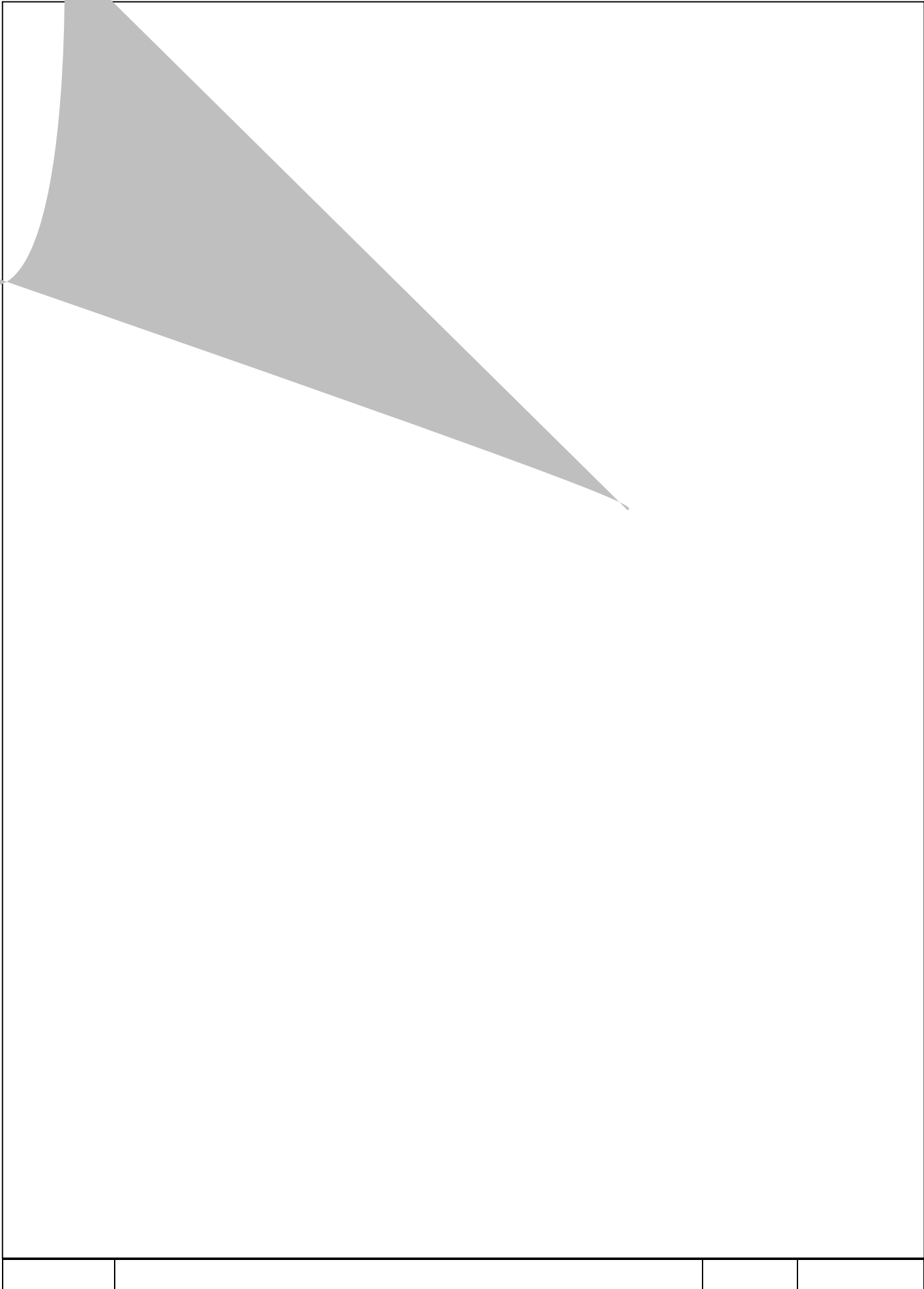


Reverse Light Current(I_L) Bin Code ($V_R=5V$, $E_e=1mW/cm^2$)

| BIN CODE | Min.(μA) | Max.(μA) |
|----------|-----------------|-----------------|
| | | |
| | | |
| | | |

The I_L guarantee should be added $\pm 15\%$ tolerance.

LI



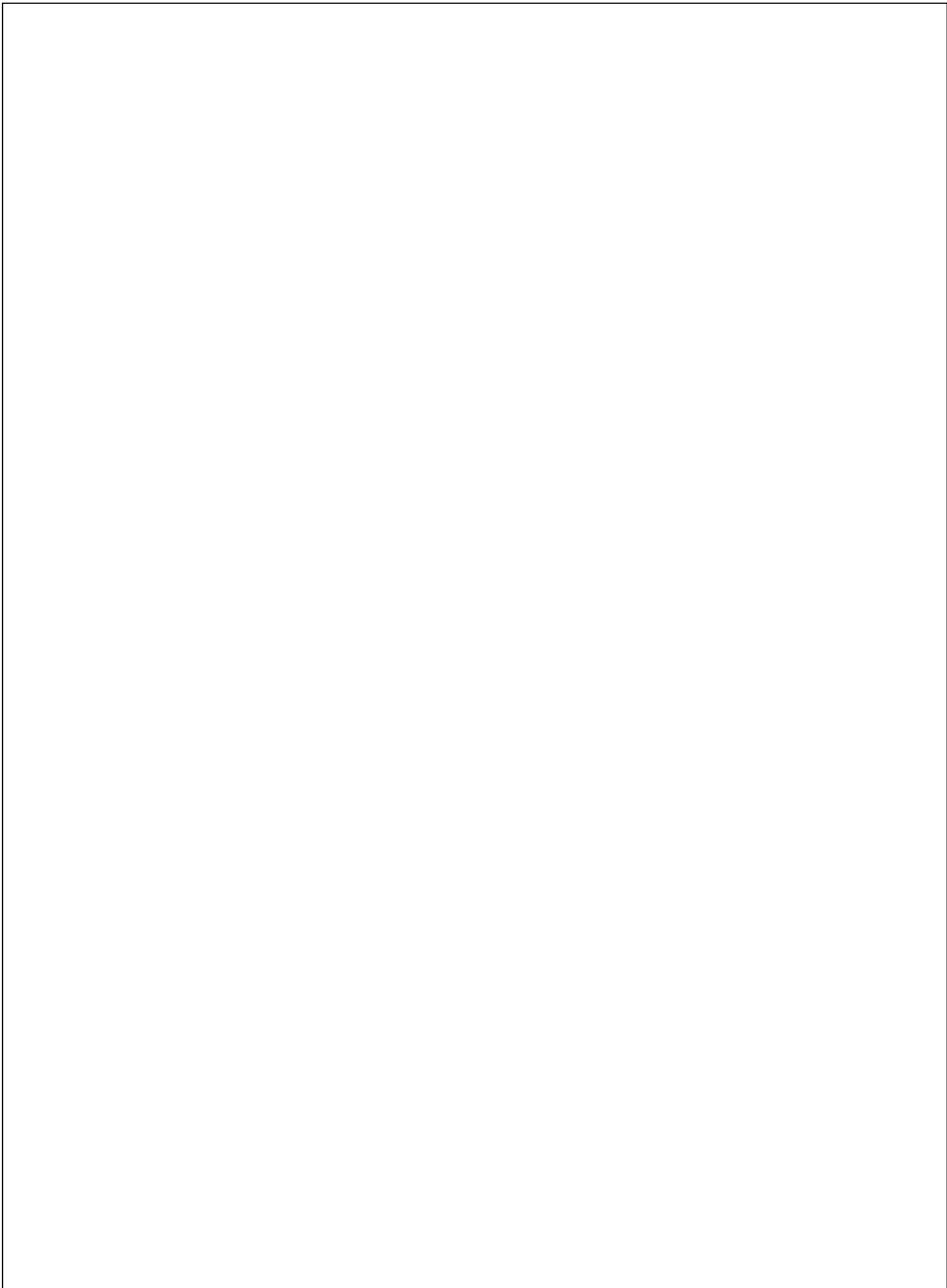
Carrier Tape Specifications (Loaded Quantity: 5000pcs/reel)

Tolerance unless mentioned is ± 0.1 mm; Unit = mm

Moisture Resistant Packaging

0.1mm

LI



| | | | |
|--|--|--|--|
| | | | |
|--|--|--|--|