



SL-T2835WD060-L70-A-XX

DATA SHEET

SPEC.NO.: SZ22081701
DATE: 2022/08/17
REV.: A/0

Approved By:

Checked By:

Prepared By:

LIGHT

9

E 9 J 3(9 0

D C 9H 99J A 7 L L H/ B M
J

E 9 J 3(9 0

Forward Current

Pulse Forward Current

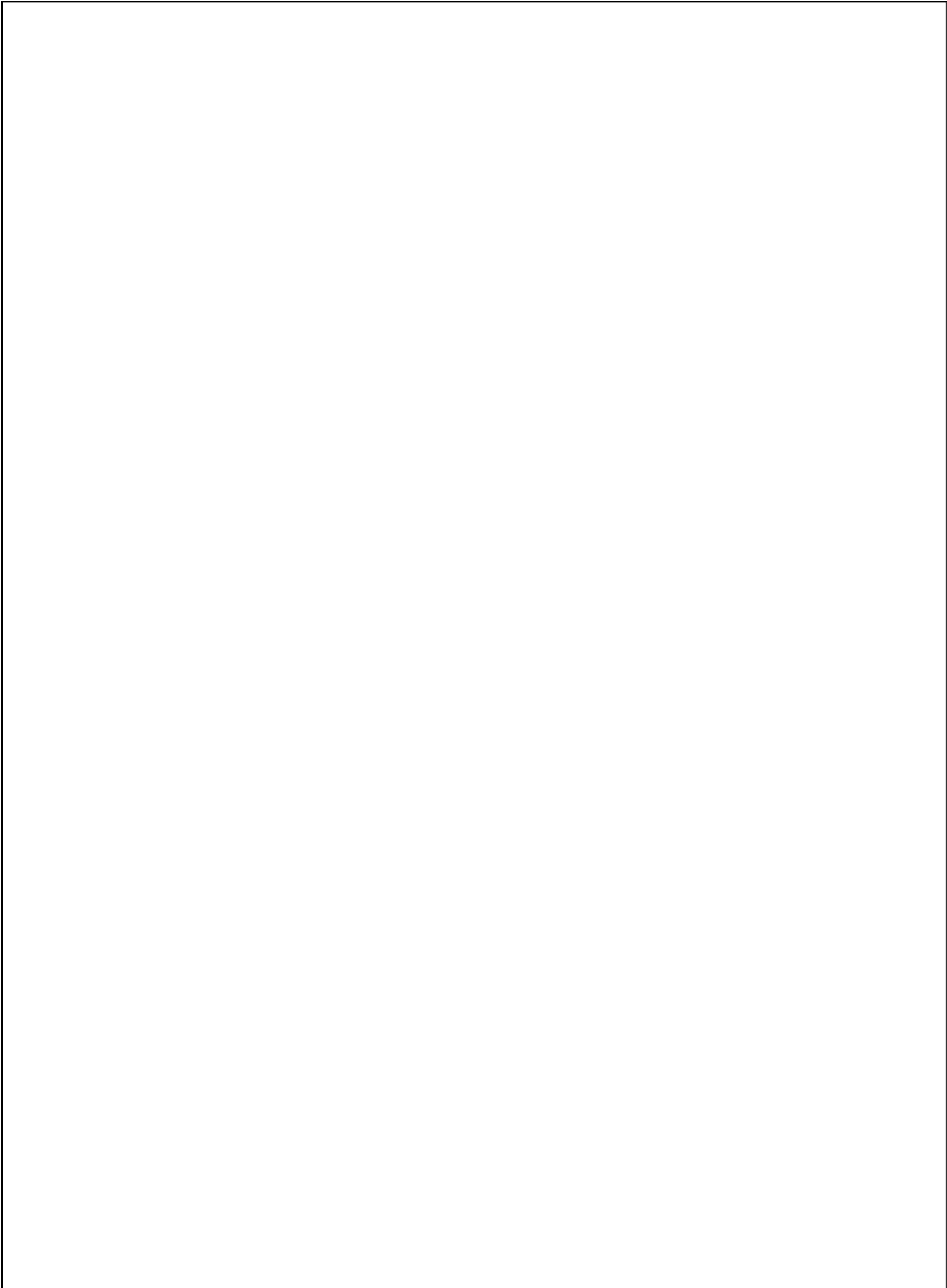
Power Dissipation

Operating Temperature

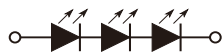
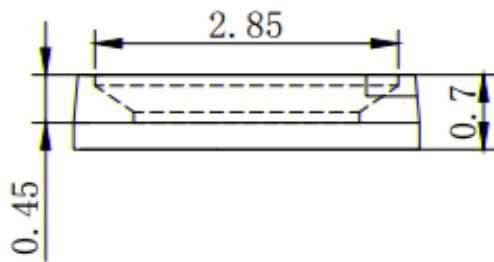
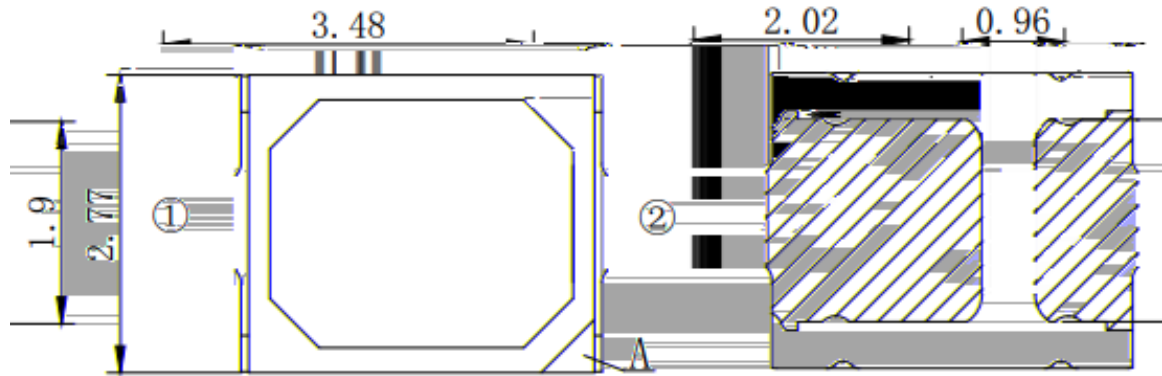
Storage Temperature

Junction Temperature

Welding temperature



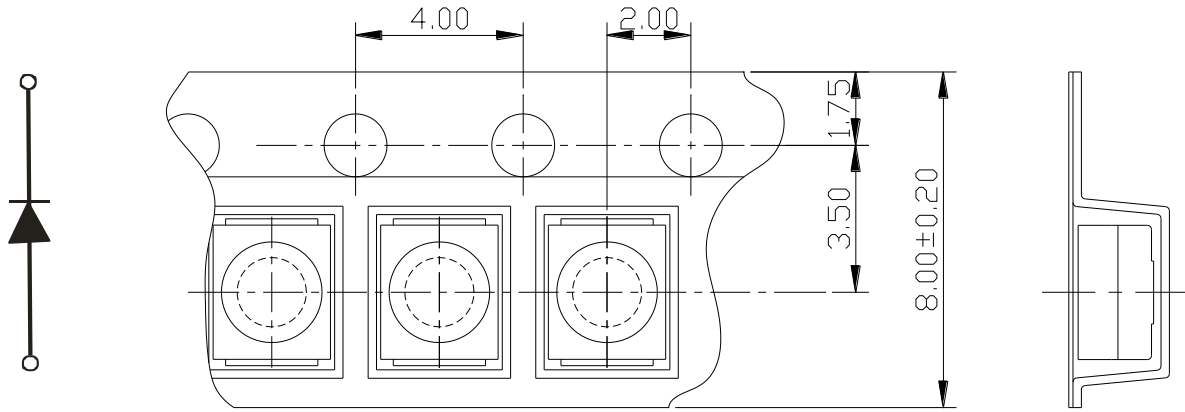
E :



Polarity

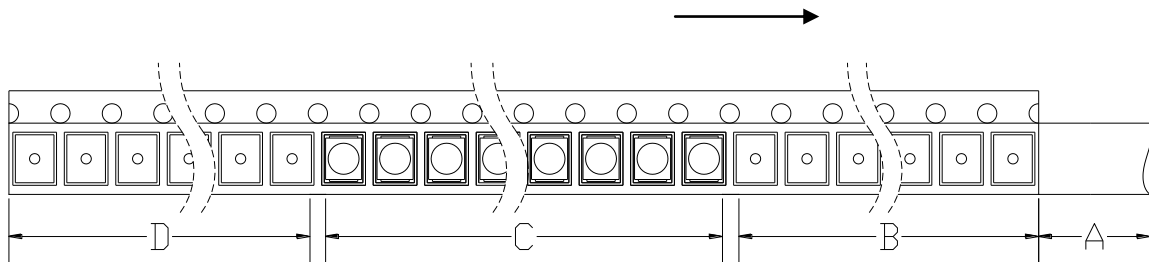
F

◇ 9 J

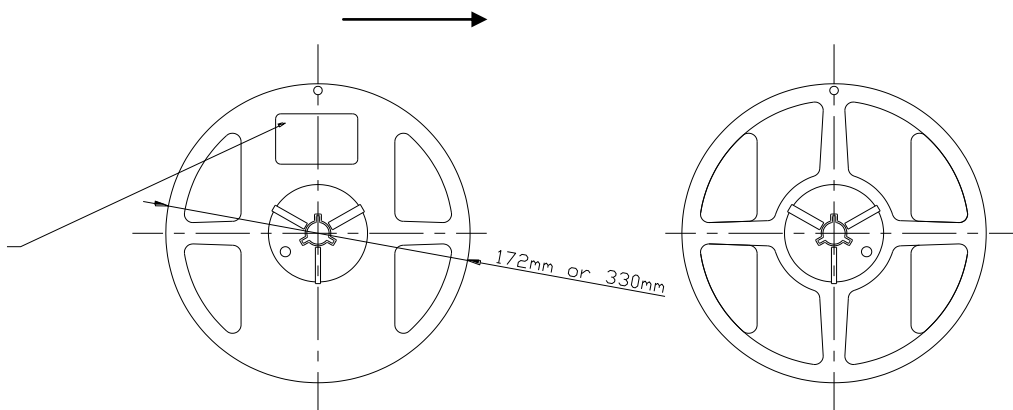


± ±

◇ : E 9 J

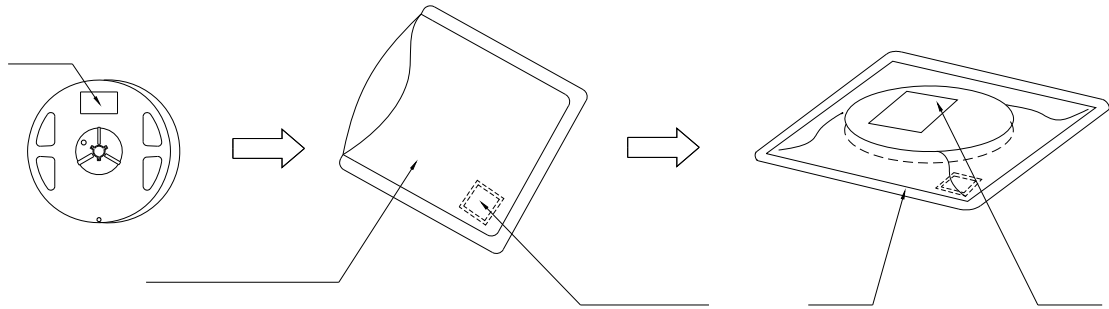


◇ H :

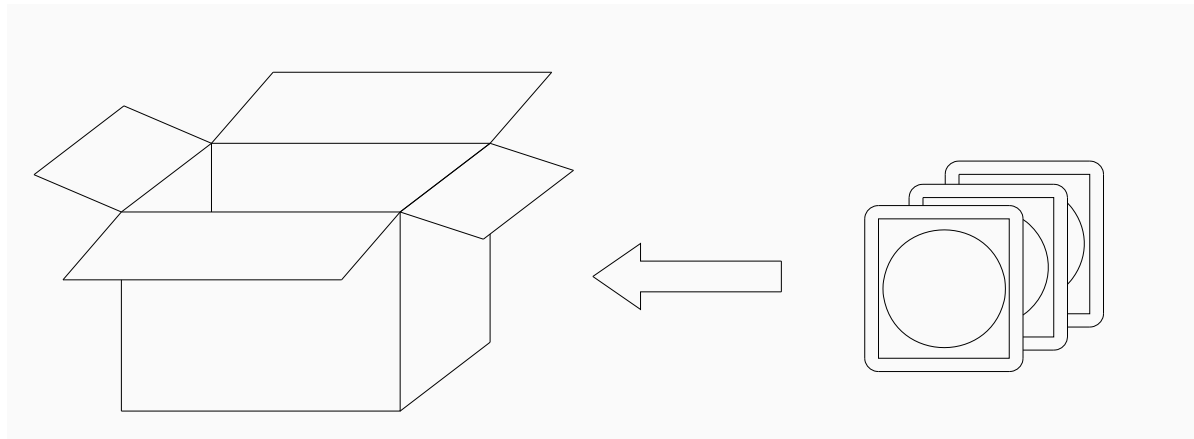




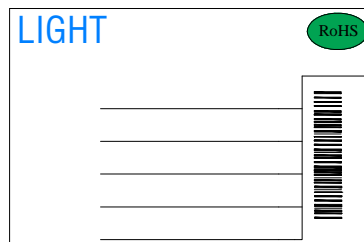
Moisture Proof and Anti-Electrostatic Foil Bag



Cardboard Box

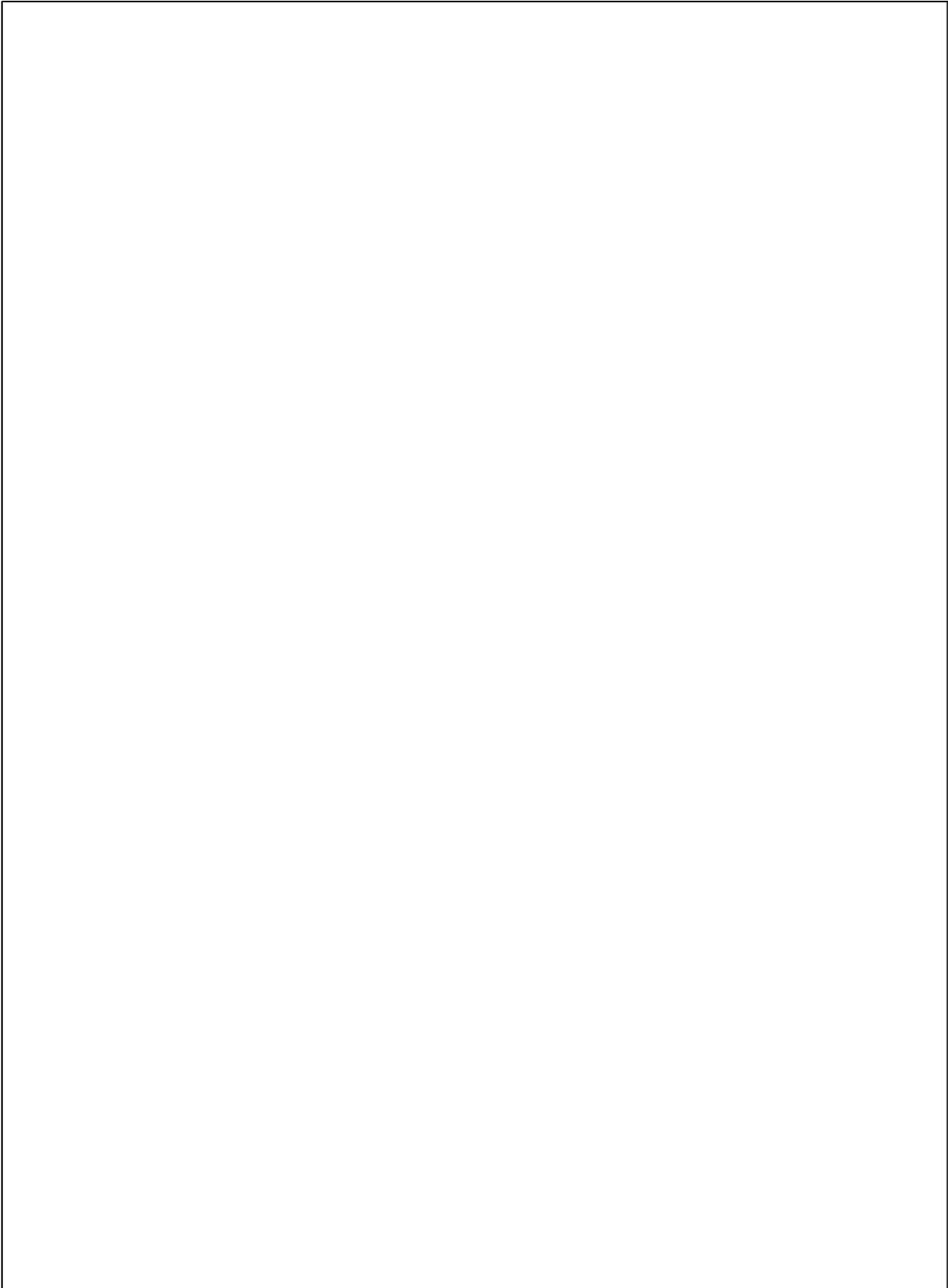


Label Explanation

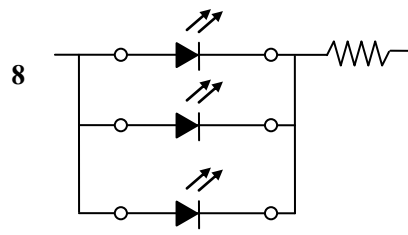
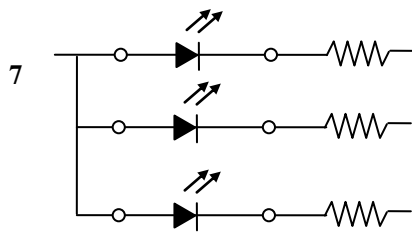


TYPE NO./	QUANTITY/
BIN./	DATE CODE/
REMARKS/	LOT NO./

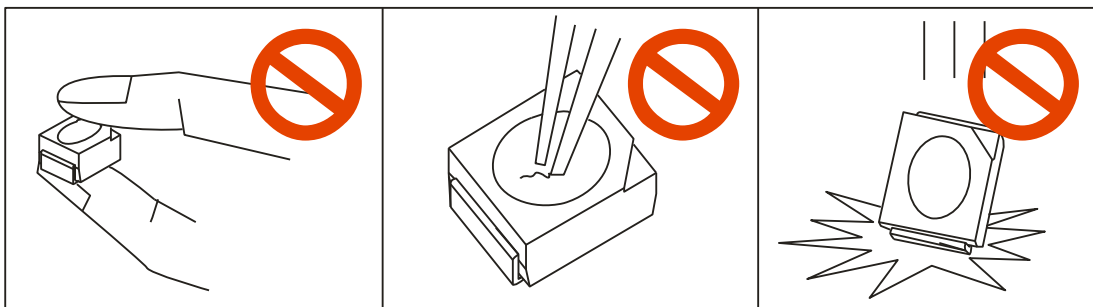
LIGHT



11 GH



E



7 = I 9 :

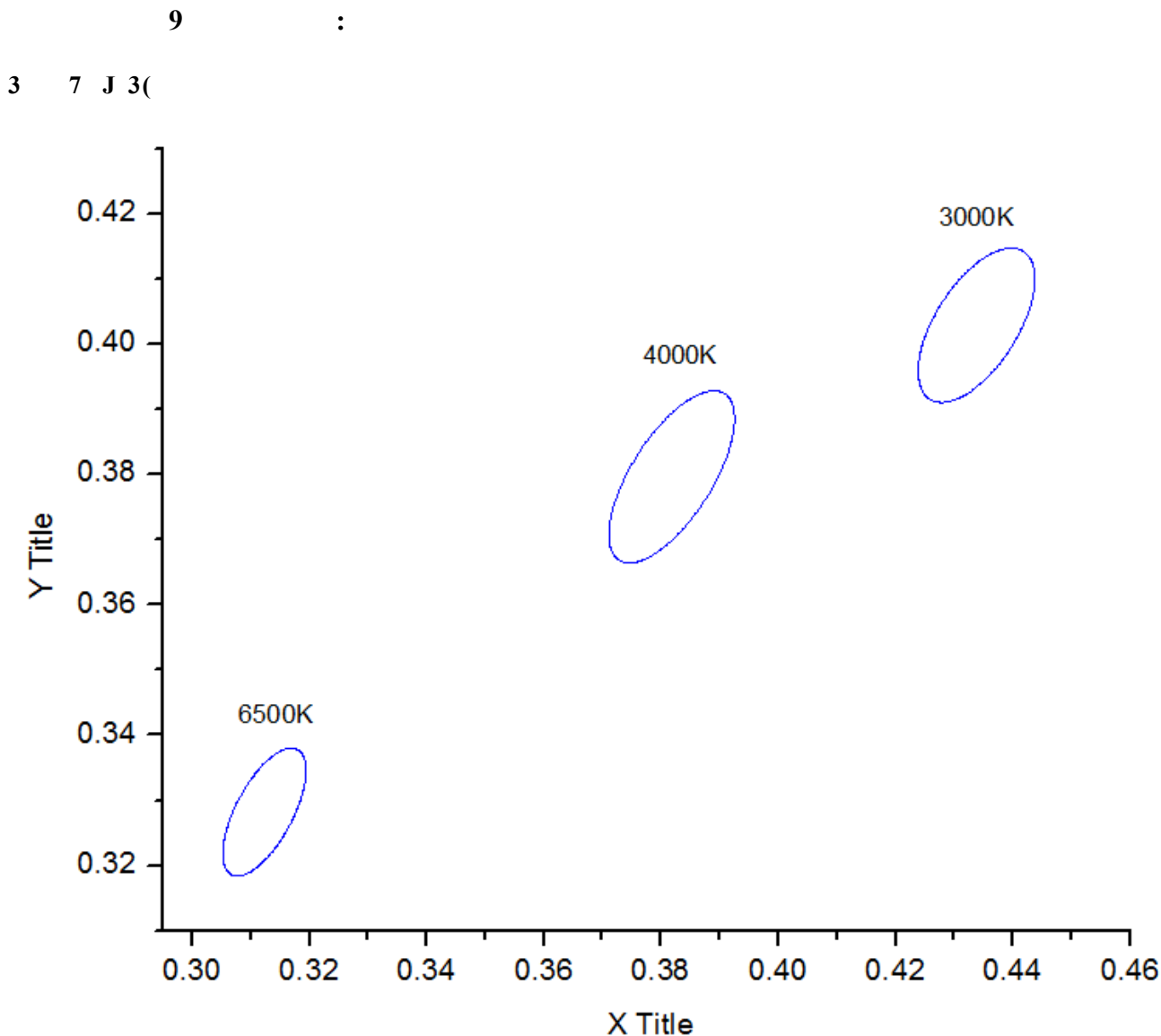
= I

3 7 J 3(



DE	DO

DE	DO



	o		x	y		g
7)						
7*						
7						

LIGHT

LIGHT EU
