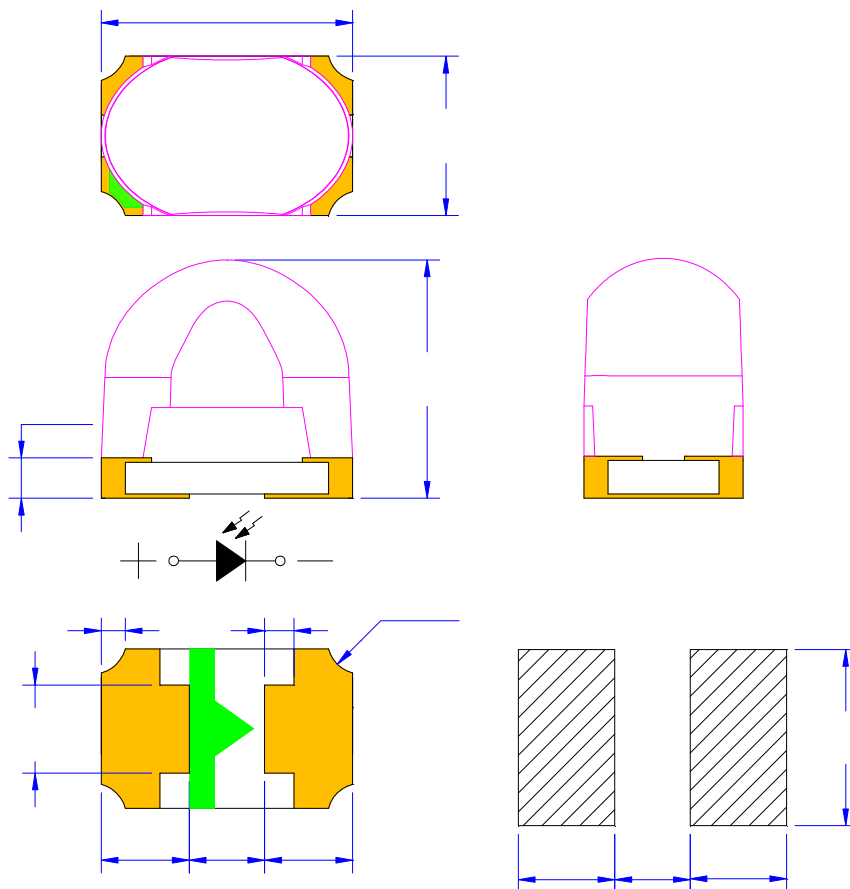


## Features

- Pb free product—RoHS compliant
- High Photo Sensitivity
- Reliable and rugged
- Long life – solid state reliability
- Sensitivity angle: 90°

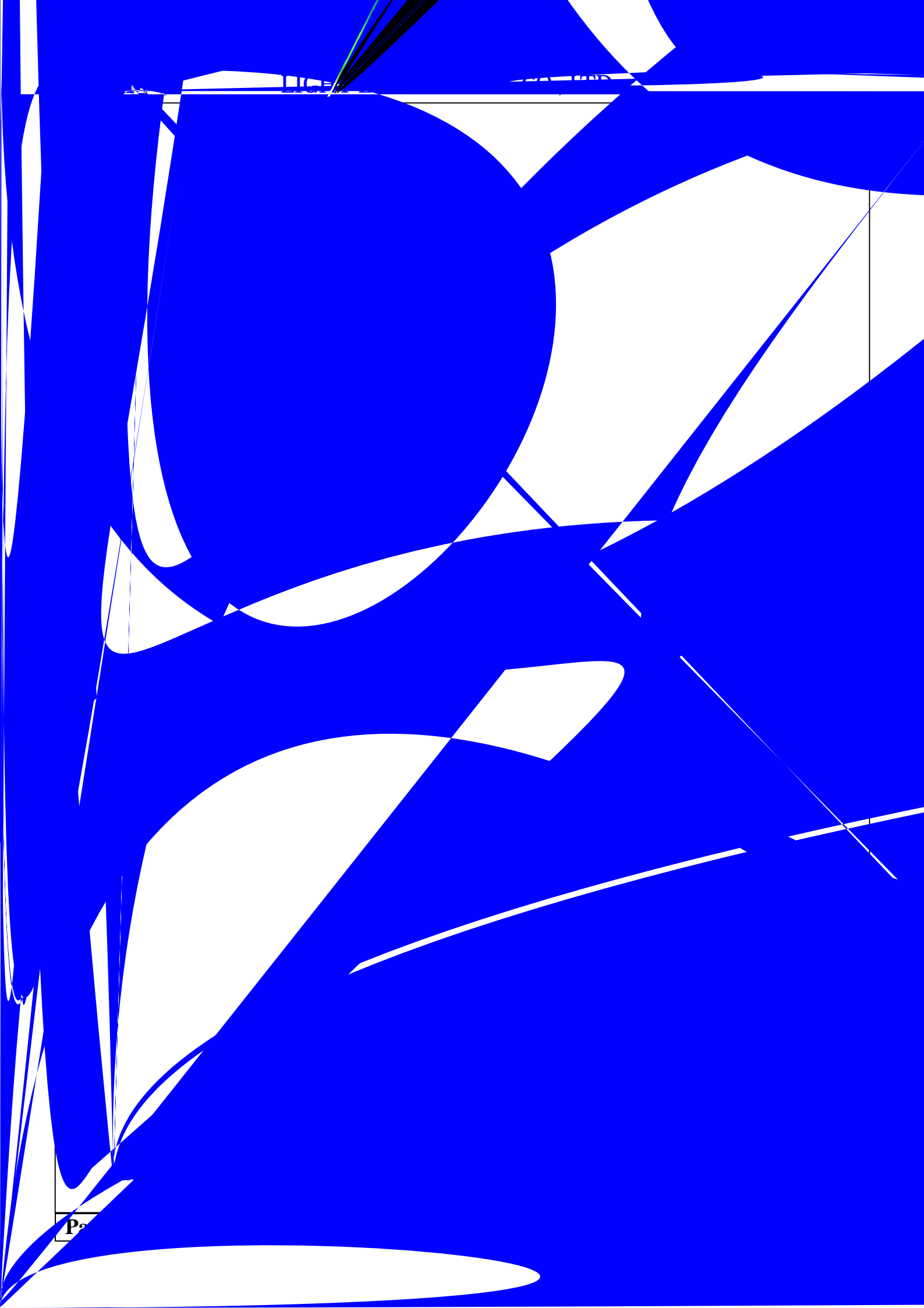
## Package Dimension



Part NO.	Chip Material	Lens Color
SL-T3020PDB020-L285-E-S	Silicon	Black

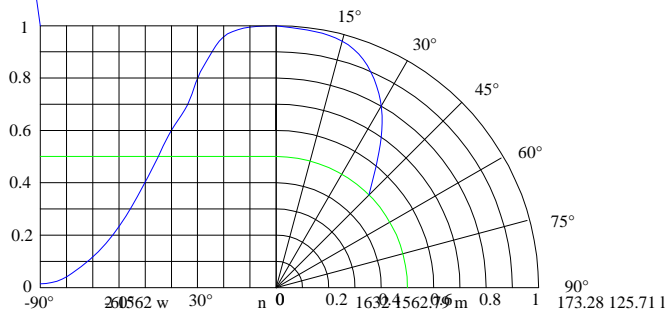
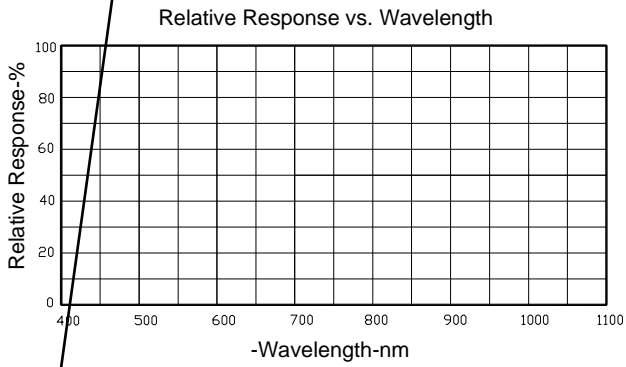
### Notes:

1. All dimensions are in millimeters.
2. Tolerance is  $\pm 0.10$ mm unless otherwise noted.
3. Specifications are subject to change without notice.





## Typical Electrical / Optical Characteristics Curves (25 Ambient Temperature Unless Otherwise Noted)



**Reverse Light Current( $I_L$ ) Bin Code ( $V_R=5V$ ,  $E_e=1mW/cm^2$ ,  $p=940nm$ )**

BIN CODE	Min.( A)	Max.( A)
29	15.5	18.5
30	18.5	22
31	22	26

**NOTE:** The  $I_L$  guarantee should be added  $\pm 15\%$  tolerance.

