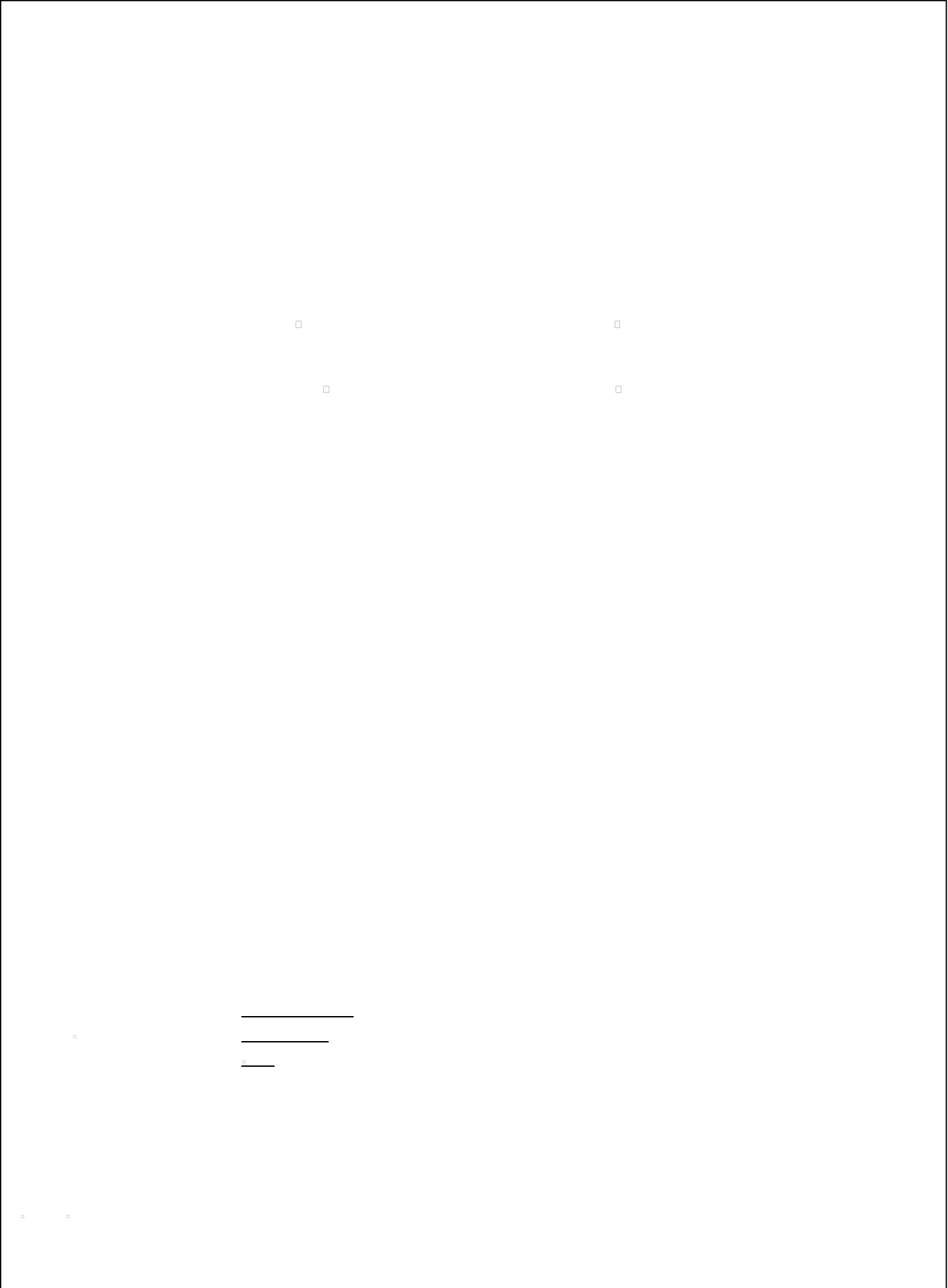


LIGHT



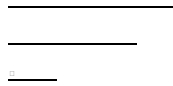
□

□

□

□

□

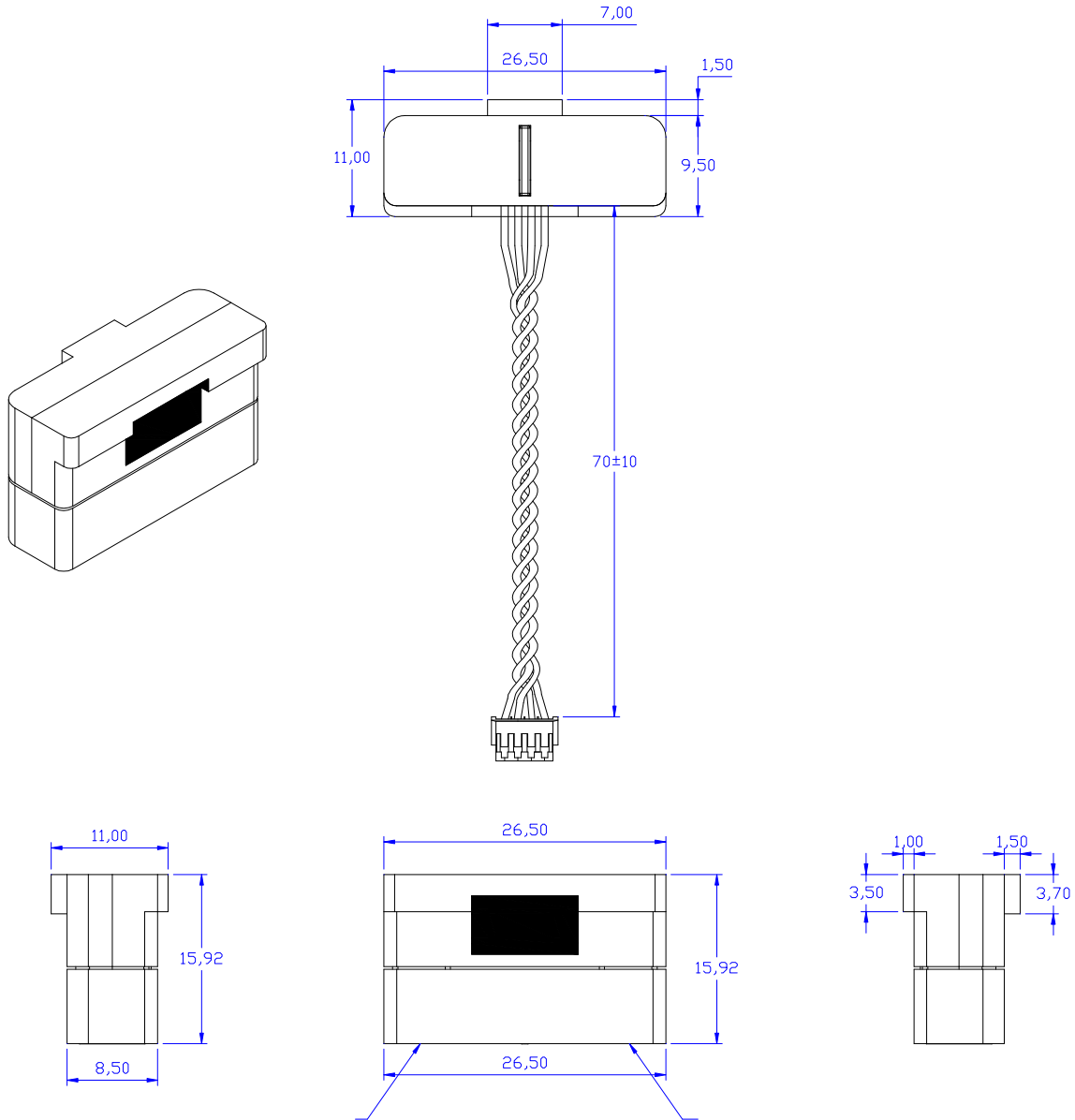
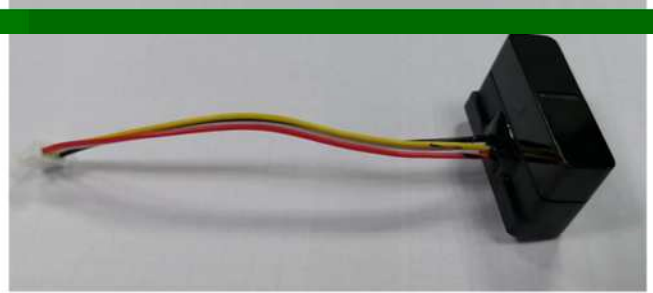


□

□

--	--	--	--

Dimensions of Module



Notes:

1. All dimensions are in millimeters.
2. Tolerance is ±0.50mm unless otherwise noted.

4. Specifications are subject to change without notice.

保潔

