

# SL-T2835WD060-L70-A-XX

## DATA SHEET

SPEC.NO.: SZ22081701  
DATE: 2022/08/17  
REV.: A/0

Approved By:

Checked By:

Prepared By:

# LIGHT

---

=

= G L 5\*- 2

JA LC A 9 N N J1 D  
L L

= G L 5\*- 2

Forward Current

\*Pulse Forward Current\*

Power Dissipation

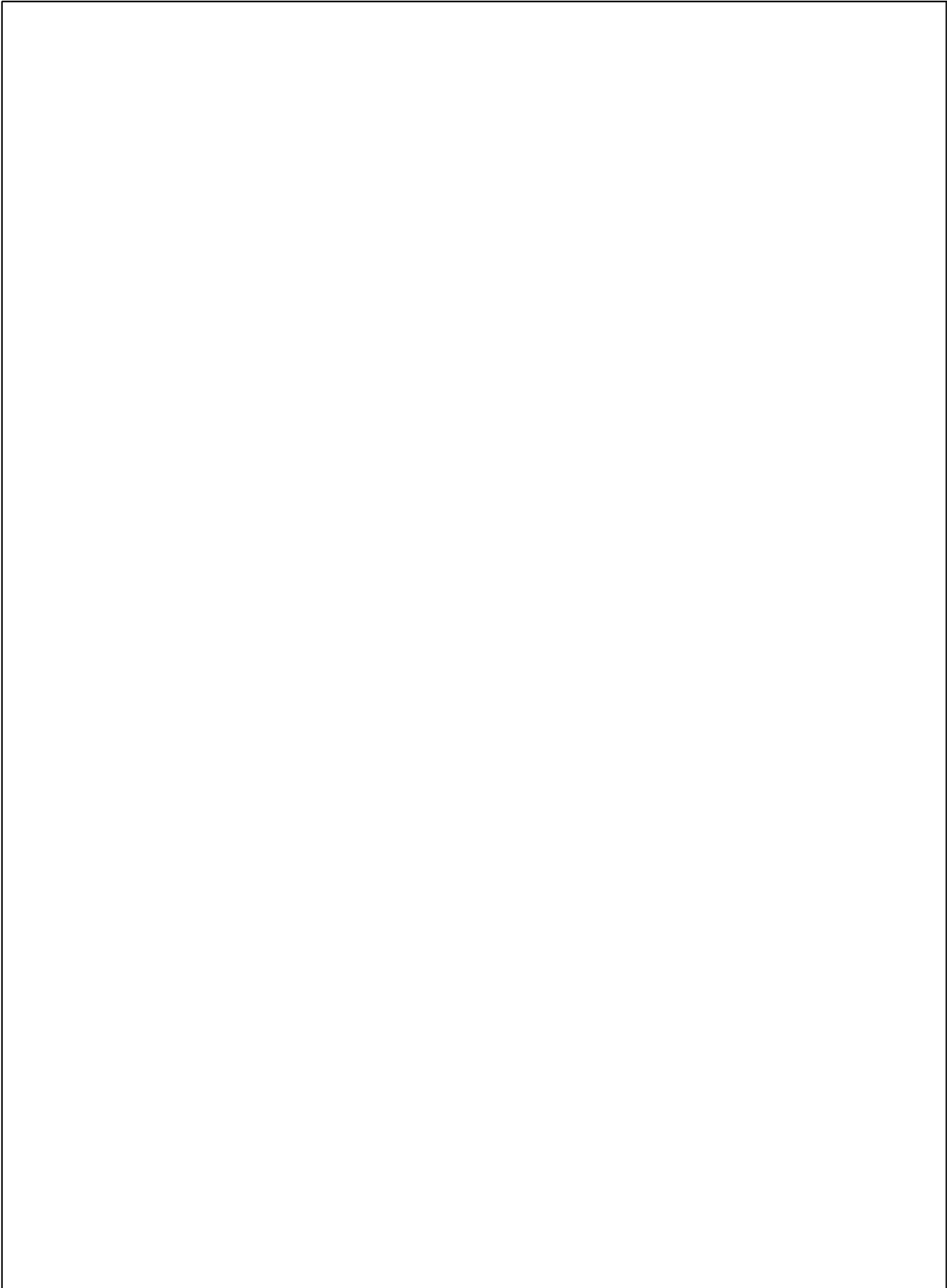
Operating Temperature

Storage Temperature

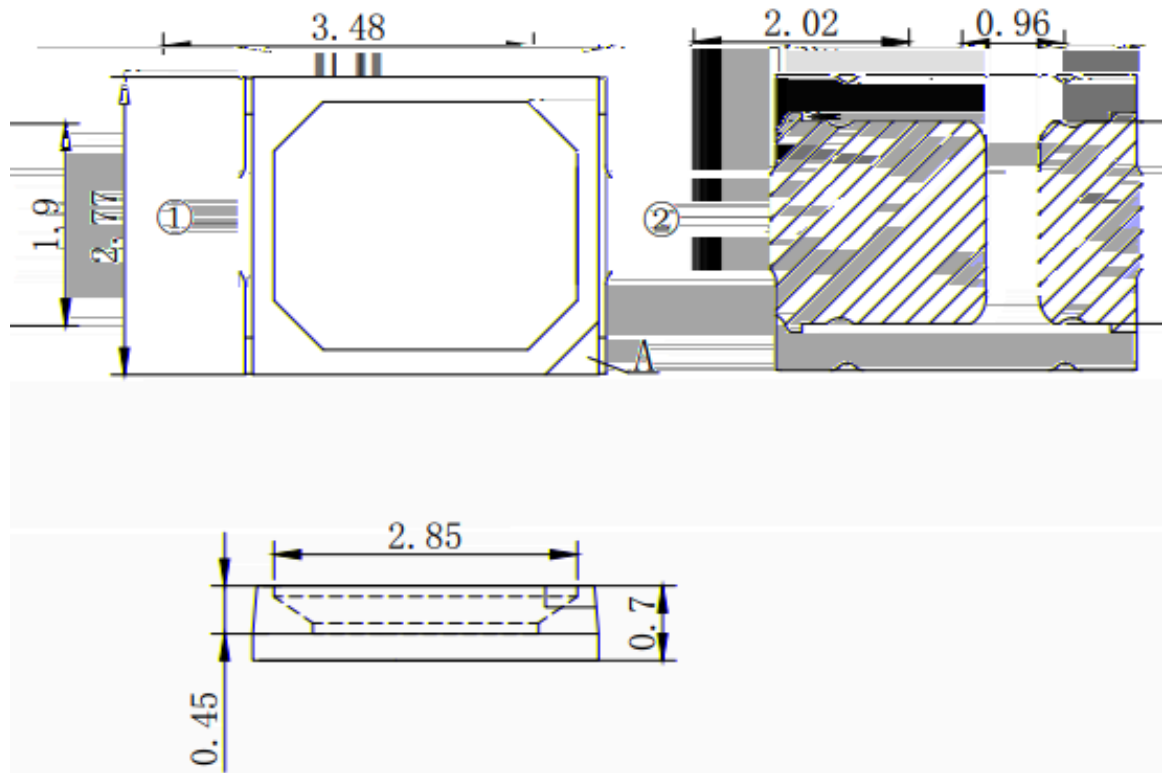
Junction Temperature

Welding temperature





G

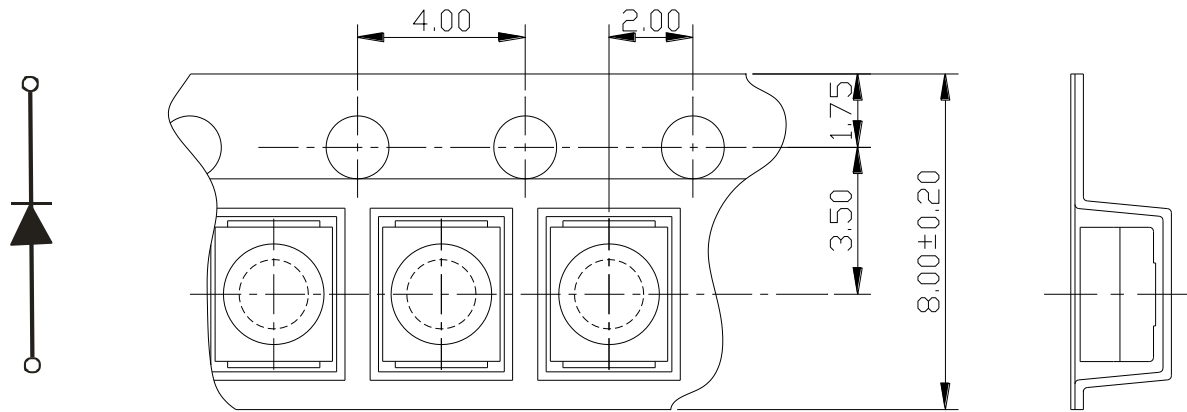


Polarity

H

◇

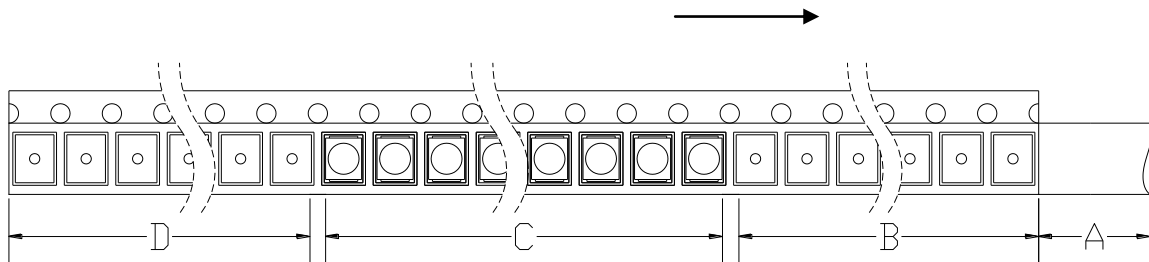
L



◇

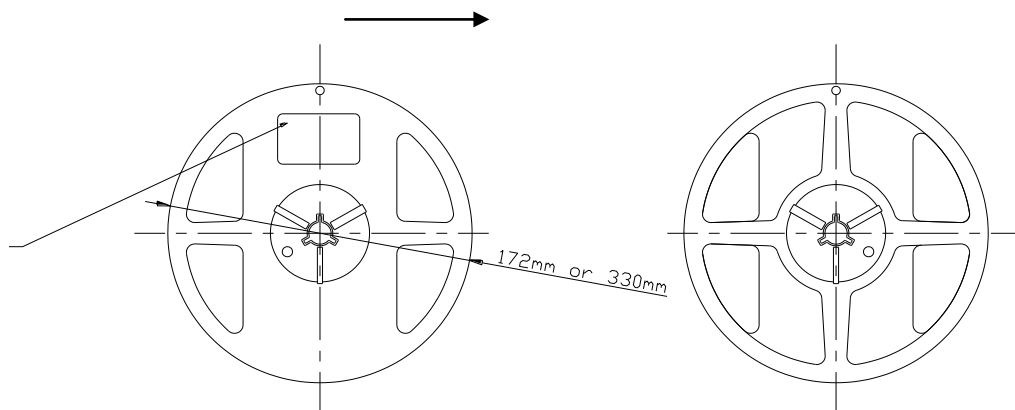
G

L

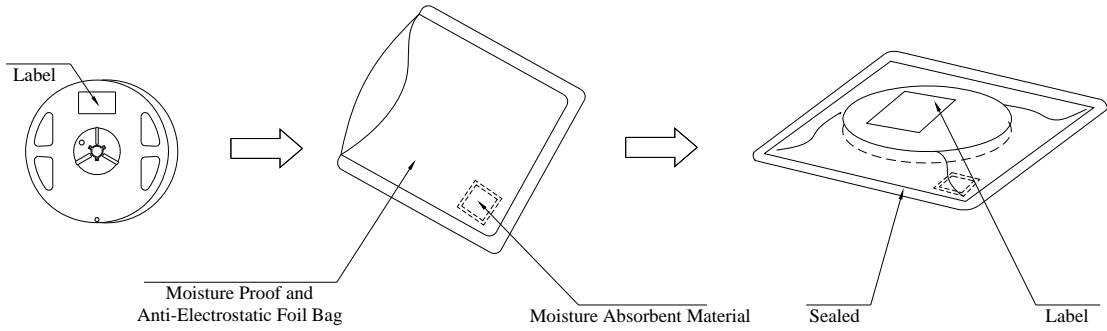


◇

J

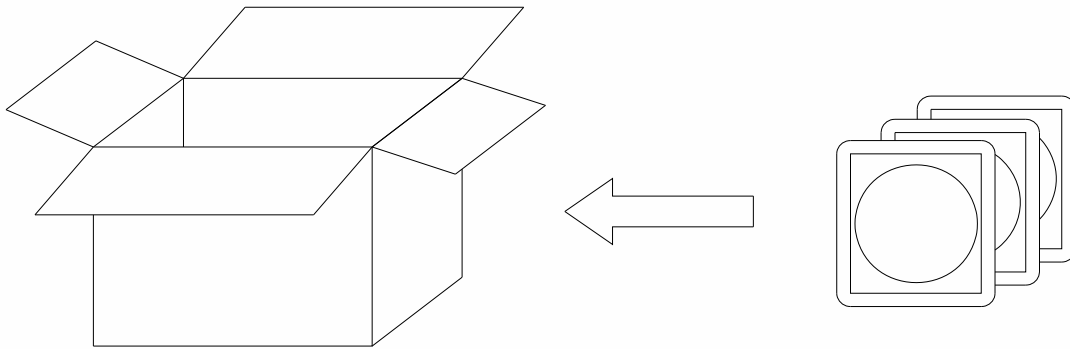


✧



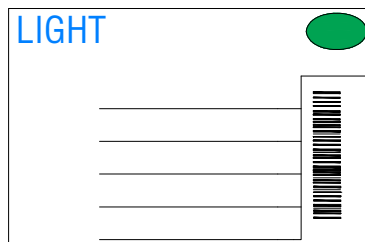
✧

**Cardboard Box**



✧

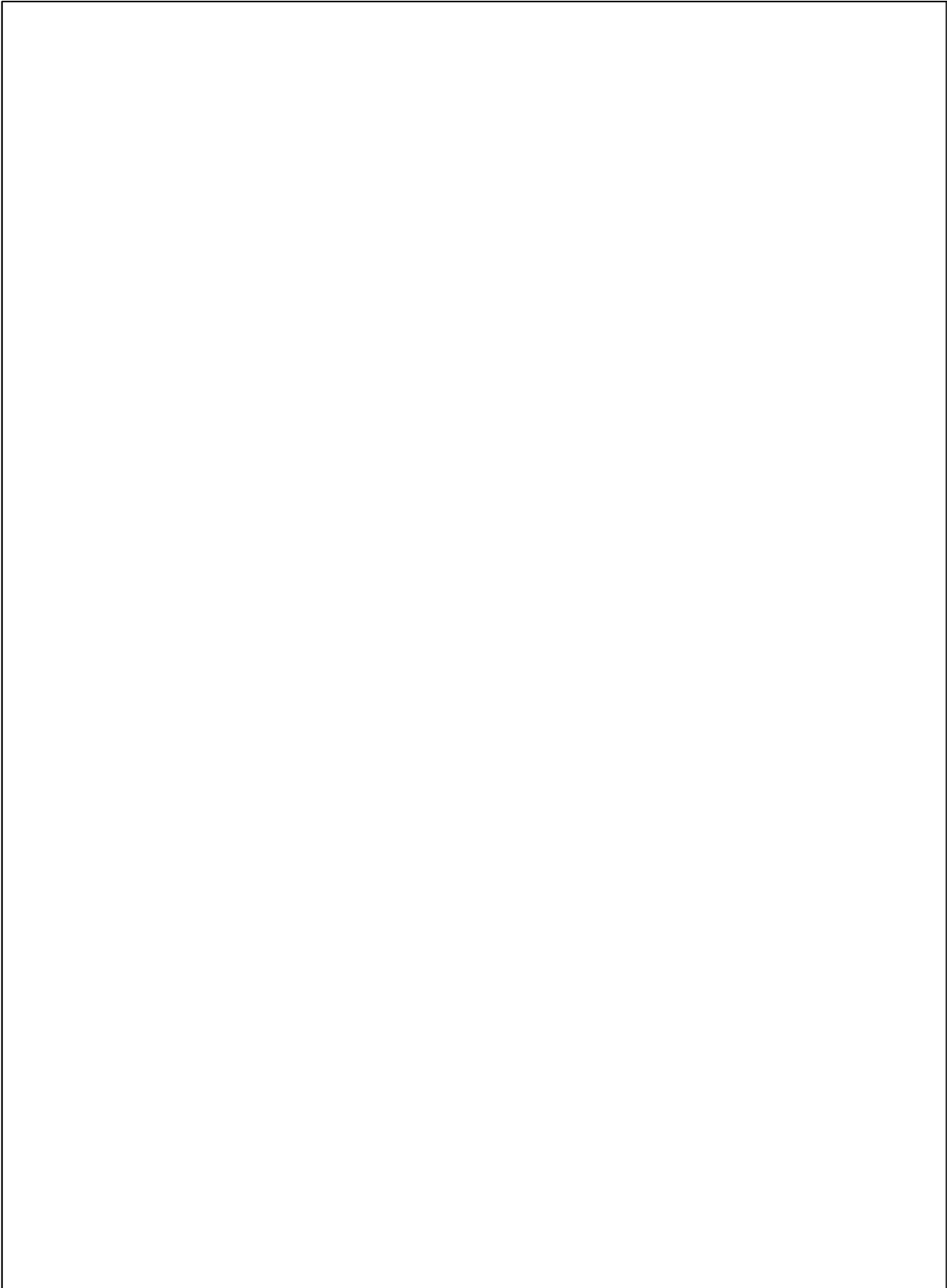
**Label Explanation**

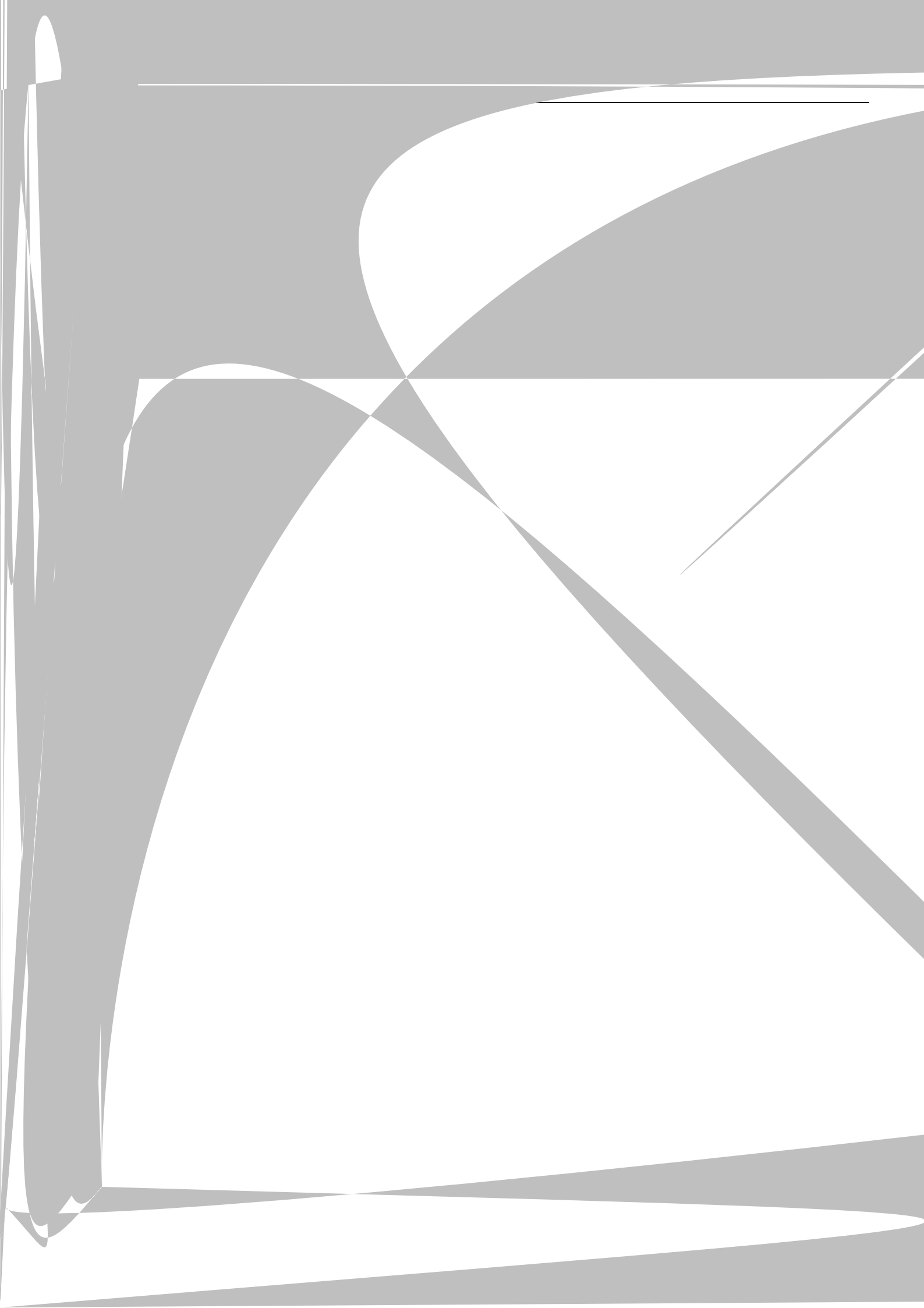


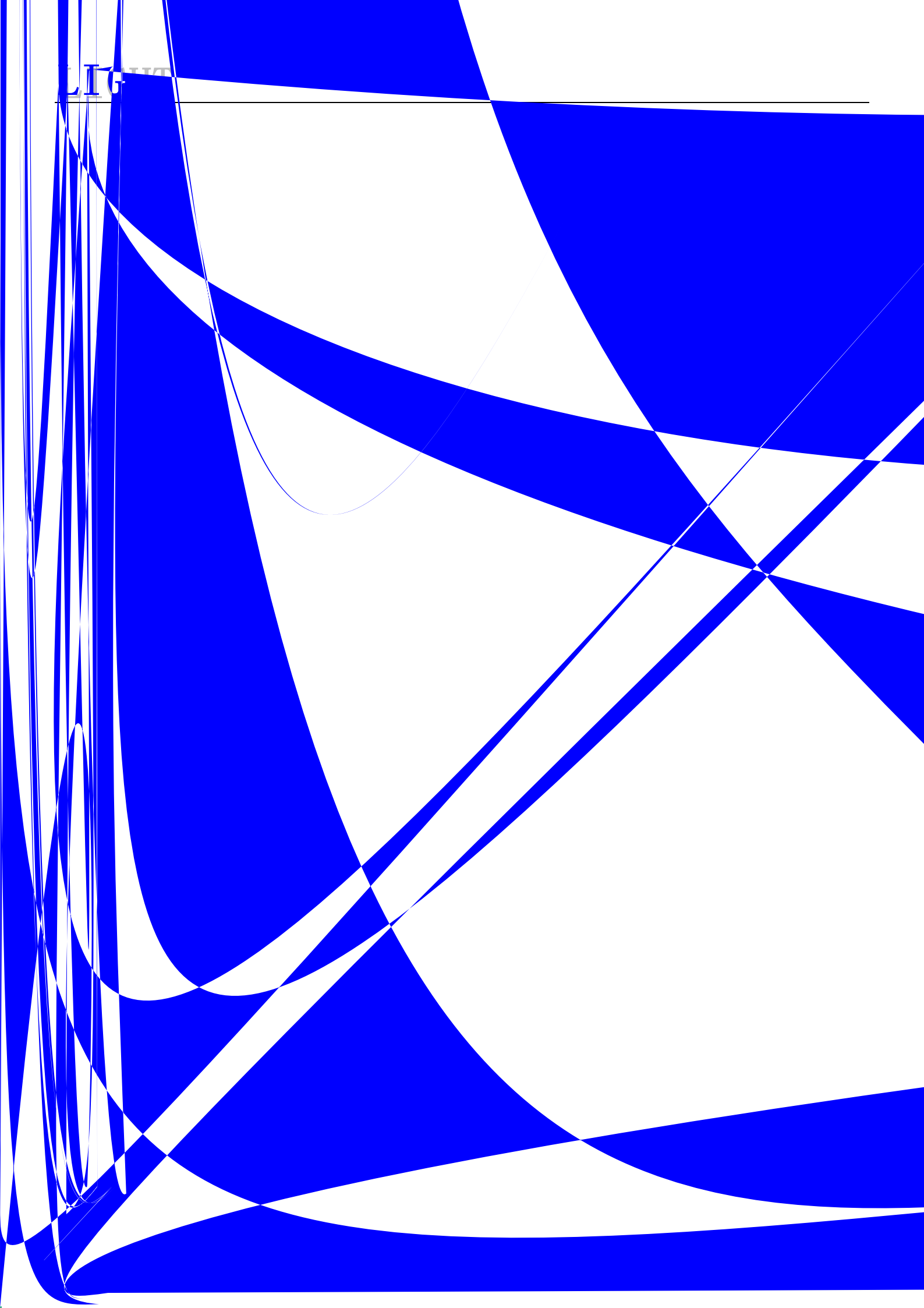


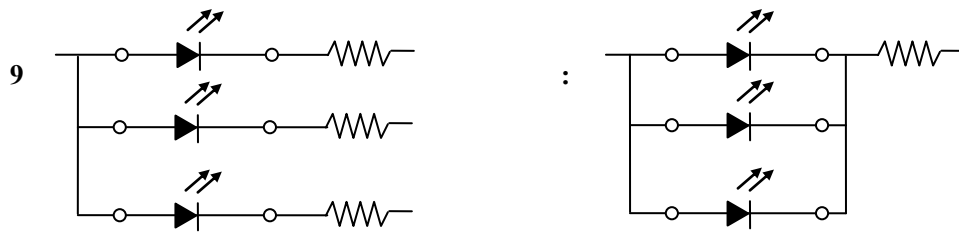

# LIGHT

---

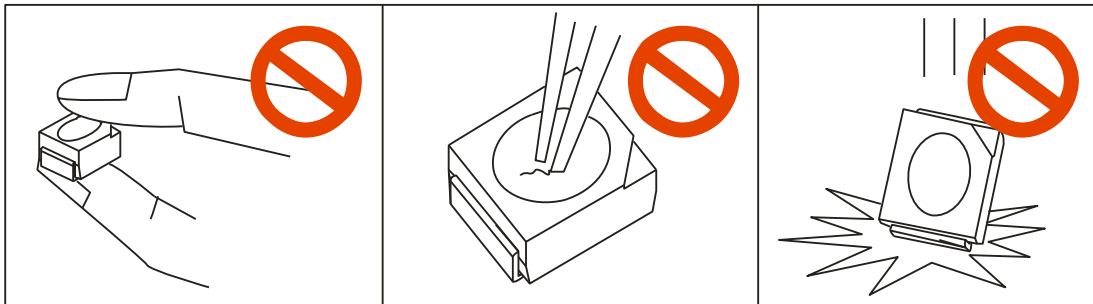








G

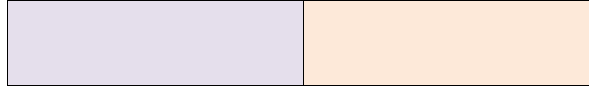


9

K

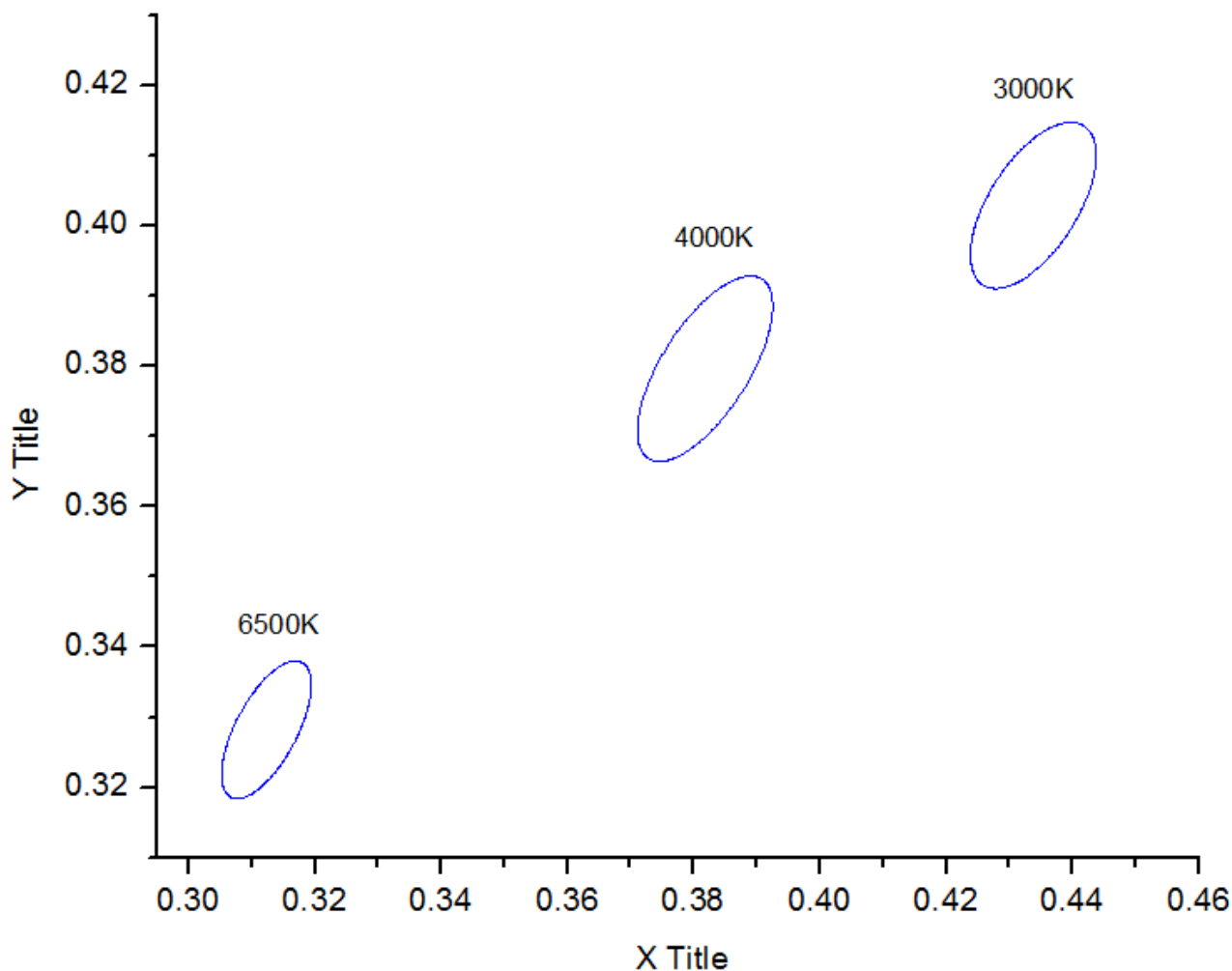
K

A5.( 9 L 5\*-





A5. ( 9 L 5\*-



9 (-						
9 (-						
9.--						

LIGH

**LIGHT ELECTRONICS CO., LTD.**

---

